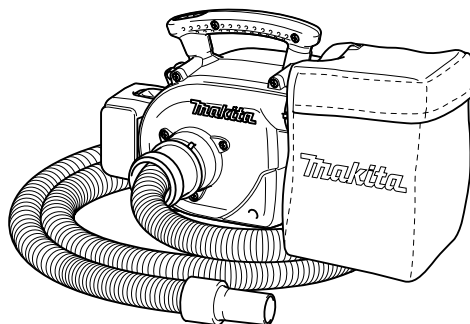
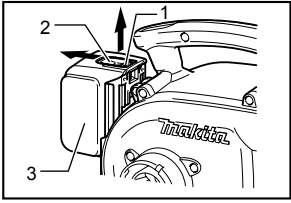




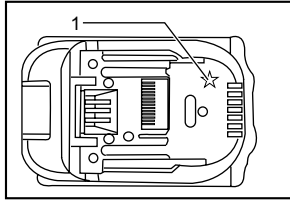
GB	Cordless Vacuum Cleaner	INSTRUCTION MANUAL
S	Batteridrivnen dammsugare	BRUKSANVISNING
N	Trådløs støvsuger	BRUKSANVISNING
FIN	Akkukäyttöinen pölynimuri	KÄYTTÖOHJE
LV	Bezvadu putekļu sūcējs	LIETOŠANAS INSTRUKCIJA
LT	Akumuliatorinis vakuuminis valymo įrenginys	NAUDOJIMO INSTRUKCIJA
EE	Juhtmeta tolmuimeja	KASUTUSJUHEND
RUS	Аккумуляторный Пылесос	РУКОВОДСТВО ПО ЭКСПЛУАТАЦИИ

DVC340
DVC350

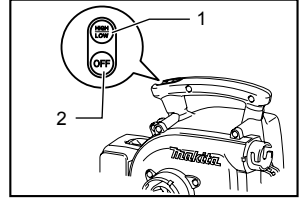




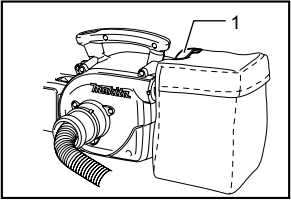
013850



011389

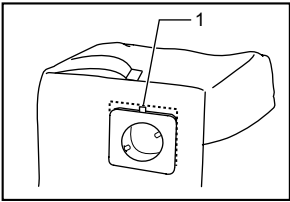


011121



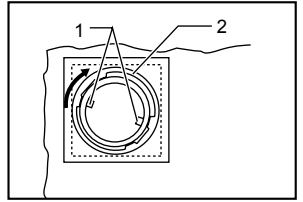
4

011114



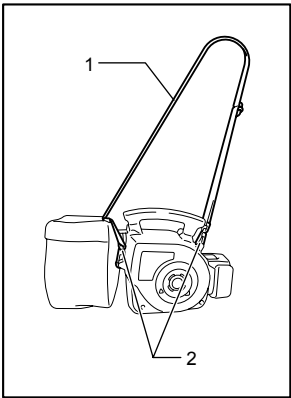
5

011115



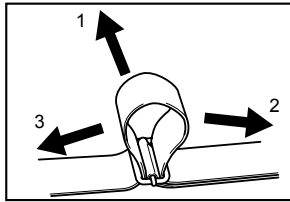
6

011116



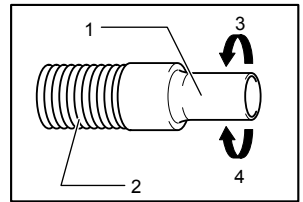
7

011117



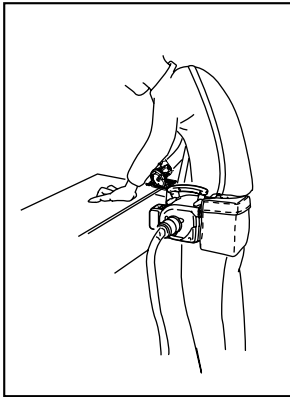
8

011118

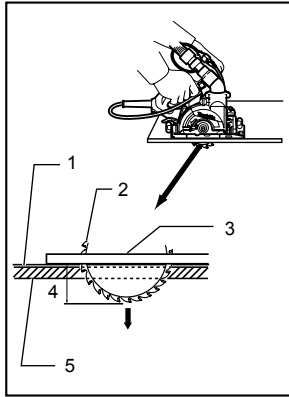


9

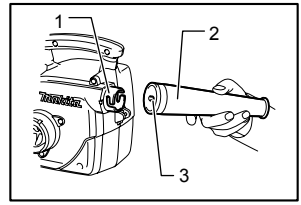
011120



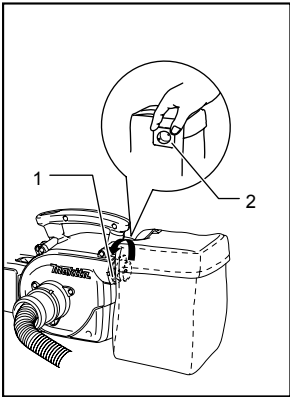
10 011122



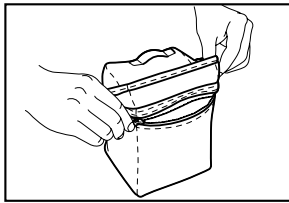
11 011123



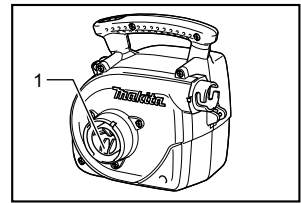
12 011124



13 011125



14 011126



15 011127

ENGLISH (Original instructions)

WARNING: This appliance can be used by children aged from 8 years and above and persons with reduced physical, sensory or mental capabilities or lack of experience and knowledge if they have been given supervision or instruction concerning use of the appliance in a safe way and understand the hazards involved. Children shall not play with the appliance. Cleaning and user maintenance shall not be made by children without supervision.

Explanation of general view

1-1. Red indicator	7-1. Shoulder strap	11-2. Saw blade
1-2. Button	7-2. Two hooks	11-3. Base
1-3. Battery cartridge	8-1. Pull out	11-4. Cutting depth
2-1. Star mark	8-2. For shortening	11-5. Plaster board
3-1. HIGH/LOW button	8-3. For extending	12-1. Outlet (air vent)
3-2. OFF button	9-1. Front cuff	12-2. Nozzle
4-1. Hook	9-2. Hose	12-3. Pin
5-1. Protrusion	9-3. Remove	13-1. Dust bag joint
6-1. Pins	9-4. Install	13-2. Square section
6-2. Ring	11-1. Decorative paper	15-1. Filter area

SPECIFICATIONS

Model		DVC340	DVC350	
Capacity	Volume	3.0 L		
	Max. Air volume	3.3 m ³ /min	3.4 m ³ /min	
Continuous use (Approx.)	HIGH	4 min (with BL1415)	6 min (with BL1815)	
		5 min (with BL1415N)	7 min (with BL1815N)	
		-	8 min (with BL1820)	
		10 min (with BL1430)	13 min (with BL1830)	
		13 min (with BL1440)	18 min (with BL1840)	
		-	21 min (with BL1850)	
	LOW	8 min (with BL1415)	12 min (with BL1815)	
		10 min (with BL1415N)	14 min (with BL1815N)	
		-	16 min (with BL1820)	
		20 min (with BL1430)	26 min (with BL1830)	
		26 min (with BL1440)	36 min (with BL1840)	
		-	42 min (with BL1850)	
	Overall length		403 mm	
	Net weight		2.1 kg (BL1415 / BL1415N)	2.2 kg (BL1815 / BL1815N / BL1820)
2.3 kg (BL1430 / BL1440)			2.4 kg (BL1830 / BL1840 / BL1850)	
Rated voltage		D.C. 14.4 V	D.C. 18 V	

- Due to our continuing program of research and development, the specifications herein are subject to change without notice.
- Specifications and battery cartridge may differ from country to country.
- Weight, with battery cartridge, according to EPTA-Procedure 01/2003

Intended use

The tool is intended for collecting dry dust.

ENG905-1

Noise

The typical A-weighted noise level determined according to EN60745:

Model DVC340

Sound pressure level (L_{pA}) : 81 dB (A)
 Sound power level (L_{WA}) : 92 dB (A)
 Uncertainty (K) : 3 dB (A)

Model DVC350

Sound pressure level (L_{pA}) : 84 dB (A)
 Sound power level (L_{WA}) : 95 dB (A)
 Uncertainty (K) : 3 dB (A)

Wear ear protection

ENG900-1

Vibration

The vibration total value (tri-axial vector sum) determined according to EN60745:

Work mode : operation without load
 Vibration emission (a_h) : 2.5 m/s² or less
 Uncertainty (K) : 1.5 m/s²

ENG901-1

- The declared vibration emission value has been measured in accordance with the standard test method and may be used for comparing one tool with another.
- The declared vibration emission value may also be used in a preliminary assessment of exposure.

⚠ WARNING:

- The vibration emission during actual use of the power tool can differ from the declared emission value depending on the ways in which the tool is used.
- Be sure to identify safety measures to protect the operator that are based on an estimation of exposure in the actual conditions of use (taking account of all parts of the operating cycle such as the times when the tool is switched off and when it is running idle in addition to the trigger time).

GEA010-1

General Power Tool Safety Warnings

⚠ WARNING Read all safety warnings and all instructions. Failure to follow the warnings and instructions may result in electric shock, fire and/or serious injury.

Save all warnings and instructions for future reference.

CORDLESS VACUUM CLEANER SAFETY WARNINGS

⚠ WARNING! IMPORTANT READ CAREFULLY all safety warnings and all instructions BEFORE USE. Failure to follow the warnings and instructions may result in electric shock, fire and/or serious injury.

1. **Operators must be adequately instructed on the use of this cleaner.**
 2. **This cleaner is not suitable for picking up hazardous dust.**
 3. **This cleaner is for dry use only.**
 4. **This cleaner is for indoor use only.**
 5. **This cleaner shall be stored indoors only.**
 6. **Do not pick up the following materials:**
 - Hot materials such as lit cigarettes or spark/metal dust generated by grinding/cutting metal
 - Flammable materials such as gasoline, thinner, benzene, kerosene or paint
 - Explosive materials like nitroglycerin
 - Ignitable materials such as Aluminum, zinc, magnesium, titanium, phosphorus or celluloid
 - Wet dirt, water, oil or the like
 - Hard pieces with sharp edges, such as wood chips, metals, stones, glasses, nails, pins or razors
 - Powder to clot such as cement or toner
 - Conductive dust such as metal or carbon
 - Fine particle like concrete dust
- Such action may cause fire, injury and/or property damage.**
7. **Stop operation immediately if you notice anything abnormal.**
 8. **Do not bring close to stoves or other heat sources.**
 9. **Do not block the intake hole or vent holes.**
 10. **Do not leave the cleaner when battery fitted. Remove battery from appliance when not in use and before servicing.**
 11. **Do not allow to be used as a toy. Close attention is necessary when used by or near children.**
 12. **Use only as described in this manual. Use only manufacturer's recommended attachments.**
 13. **Do not put any object into openings. Do not use with any opening blocked; keep free of dust, lint, hair, and anything that may reduce air flow.**
 14. **Use extra care when cleaning on stairs.**
 15. **When using the cleaner as a blower**
 - always use protective goggles, a cap and mask while operating;
 - always be sure that the cleaner is switched off and the battery cartridge is removed before clearing a blockage;

- always be sure of your footing on slopes;
- walk, never run;
- never point the nozzle at anyone in the vicinity;
- Keep all nuts, bolts and screws tight to be sure the cleaner is in safe working condition;
- Store the cleaner only in a dry place;
- The operator or user is responsible for accidents or hazards occurring to other people or their property.

KEEP FOR FUTURE REFERENCE

⚠WARNING:

DO NOT let comfort or familiarity with product (gained from repeated use) replace strict adherence to safety rules for the subject product. **MISUSE** or failure to follow the safety rules stated in this instruction manual may cause serious personal injury.

This cleaner is intended for both domestic and commercial use, for example in hotels, schools, hospitals, factories, shops, offices and rental businesses.

ENC007-8

IMPORTANT SAFETY INSTRUCTIONS

FOR BATTERY CARTRIDGE

1. Before using battery cartridge, read all instructions and cautionary markings on (1) battery charger, (2) battery, and (3) product using battery.
2. Do not disassemble battery cartridge.
3. If operating time has become excessively shorter, stop operating immediately. It may result in a risk of overheating, possible burns and even an explosion.
4. If electrolyte gets into your eyes, rinse them out with clear water and seek medical attention right away. It may result in loss of your eyesight.
5. Do not short the battery cartridge:
 - (1) Do not touch the terminals with any conductive material.
 - (2) Avoid storing battery cartridge in a container with other metal objects such as nails, coins, etc.
 - (3) Do not expose battery cartridge to water or rain.

A battery short can cause a large current flow, overheating, possible burns and even a breakdown.

6. Do not store the tool and battery cartridge in locations where the temperature may reach or exceed 50 ° C (122 ° F).

7. Do not incinerate the battery cartridge even if it is severely damaged or is completely worn out. The battery cartridge can explode in a fire.
8. Be careful not to drop or strike battery.
9. Do not use a damaged battery.
10. Follow your local regulations relating to disposal of battery.

SAVE THESE INSTRUCTIONS.

Tips for maintaining maximum battery life

1. Charge the battery cartridge before completely discharged.
Always stop tool operation and charge the battery cartridge when you notice less tool power.
2. Never recharge a fully charged battery cartridge.
Overcharging shortens the battery service life.
3. Charge the battery cartridge with room temperature at 10 ° C - 40 ° C (50 ° F - 104 ° F). Let a hot battery cartridge cool down before charging it.
4. Charge the battery cartridge once in every six months if you do not use it for a long period of time.

FUNCTIONAL DESCRIPTION

⚠CAUTION:

- Always be sure that the cleaner is switched off and the battery cartridge is removed before adjusting or checking function on the cleaner.

Installing or removing battery cartridge

Fig.1

⚠CAUTION:

- Always switch off the cleaner before installing or removing of the battery cartridge.
- **Hold the cleaner and the battery cartridge firmly when installing or removing battery cartridge.** Failure to hold the cleaner and the battery cartridge firmly may cause them to slip off your hands and result in damage to the cleaner and battery cartridge and a personal injury.

To remove the battery cartridge, slide it from the cleaner while sliding the button on the front of the cartridge.

To install the battery cartridge, align the tongue on the battery cartridge with the groove in the housing and slip it into place. Insert it all the way until it locks in place with a little click. If you can see the red indicator on the upper side of the button, it is not locked completely.

⚠CAUTION:

- Always install the battery cartridge fully until the red indicator cannot be seen. If not, it may accidentally fall out of the cleaner, causing injury to you or someone around you.
- Do not install the battery cartridge forcibly. If the cartridge does not slide in easily, it is not being inserted correctly.

Battery protection system

The cleaner is equipped with the protection system, which automatically cuts off the output power for its long service life. The cleaner stops during operation when the cleaner and/or battery are placed under the following situation. This is caused by the activation of protection system and does not show the cleaner trouble.

- When the cleaner is overloaded:
At this time, press the "OFF" button and remove causes of overload and then press the "HIGH/LOW" button again to restart.
- When battery cells get hot: (refer to the note below.)
If any operation of the "HIGH/LOW" button and the "OFF" button, the motor will remain stopped. At this time, stop use of the cleaner and cool or charge the battery cartridge after removing it from the cleaner.
- When the remaining battery capacity gets low:
If any operation of the "HIGH/LOW" button and the "OFF" button, the motor will remain stopped. At this time, remove the battery cartridge from the cleaner and charge it.

NOTE:

- This temperature-sensitive protection is applied only when the cleaner is used with a battery cartridge with a star mark.

Fig.2

Switch action

Fig.3

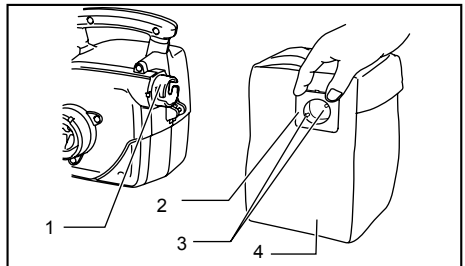
To start the cleaner, simply press the "HIGH/LOW" button. To switch off, press the "OFF" button. To change the cleaner speed, press the "HIGH/LOW" button. The first press on this button is for high speed and the second press for low speed and then each press on this button repeats the high/low speed cycle alternatively.

ASSEMBLY

⚠CAUTION:

- Always be sure that the cleaner is switched off and the battery cartridge is removed before carrying out any work on the cleaner.
- Any work with the battery cartridge being installed on the cleaner may cause a personal injury or damage to the objects around the cleaner.

Installing dust bag



1. Dust outlet
2. Dust bag joint
3. Pins
4. Dust bag

011113

Hold the square section of the dust bag joint and fit the pins inside the dust bag joint to the notches in the dust outlet of the cleaner and then insert and turn it clockwise all the way until it stops.

Fig.4

At this time, make sure that the fastener part on the dust bag faces upward.

NOTE:

- When the dust bag joint and the ring inside the dust bag come off, install as follows.
(1) Align the dust bag joint with the seam of the dust bag and install it so that its protrusion faces upward.

Fig.5

- (2) Tighten the ring inside the dust bag firmly so that the pins and the ring are positioned as shown in the figure.

Fig.6

Installing the shoulder strap

Fig.7

Attach one end hook of the shoulder strap onto the ring in the front of the cleaner and thrust the other end of the strap through the band of the dust bag and then attach the other end hook as shown in the figure.

Adjusting the shoulder strap

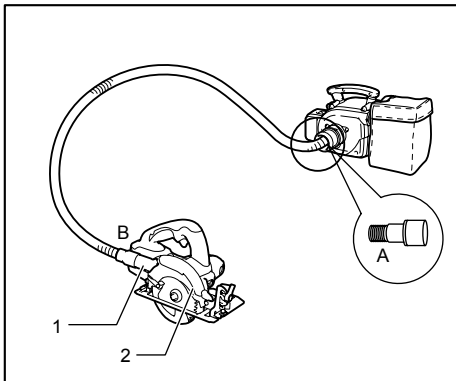
Fig.8

To adjust the length of the shoulder strap, pull it out to your desired length and pull the strap in the direction of arrow as shown in the figure.

Connecting the hose

⚠CAUTION:

- **Do not force the hose to bend it and/or stamp it.** Forcing and/or stamping the hose may cause deformation or damage to the hose.
- **Do not pull the hose to carry the cleaner.** Pulling the hose may cause deformation or damage to the hose.



1. Dust outlet

2. Power tool

011119

Insert the "A" end of the hose to the suction opening of the cleaner and turn it clockwise all the way until it locks. Attach the cuff on the "B" end of the hose and then connect it to the dust outlet of an power tool.

Replacing the front cuff

Change the front cuff of the hose according to the dust outlet size of a power tool you use.

Fig.9

To remove the front cuff, hold the hose and turn it counterclockwise.

To mount the front cuff, turn it clockwise and then screw it in until it stops.

OPERATION

⚠WARNING:

- Do not use the shoulder strap when working in a high place.
- When using the cleaner as a stationary cleaner, place it on a flat and stable surface.

Vacuum Cleaner

Fig.10

When using the cleaner as a portable cleaner, cross-hanging the shoulder strap before the breast is difficult to drop the cleaner.

Fig.11

NOTE:

- Long cut-off decorative paper that may be produced by plaster board cutting work depending on the conditions of workpiece to be cut and that may be stuffed inside the hose may cause the hose suction blocking. When this occurs, change the cutting depth setting of power tool to deeper depth, which will relieve the hose suction blocking.

⚠CAUTION:

- When the dust bag is just new, dust may come out of its surface. Using it a few times will minimize the dust leak from the surface.

Operation of the cleaner with a nozzle or a dust bag being installed

⚠WARNING:

- **Always be sure that the cleaner is switched off and the battery cartridge is removed before installing or removing the nozzle or any other attachment on the cleaner.** Failure to switch off and remove the battery cartridge may result in serious personal injury.

NOTE:

- Before the blower mode operation immediately after the cleaner mode operation, remove all remaining dust from the cleaner due to possible blow out of dust .

Using as a blower

Fig.12

Install the nozzle onto the outlet (air vent) without fail.

To install the nozzle, fit the pin protruding from the inside of nozzle to one of the cleaner notches and then turn the nozzle clockwise securely.

To remove the nozzle, turn counterclockwise and pull it out.

Direct the top point of the cleaner and then switch on.

Emptying the dust bag

⚠WARNING:

- **Always be sure that both the cleaner and a connected power tool are switched off and the battery cartridge is removed and the power tool, if corded tool, is unplugged before installing or removing the dust bag on the cleaner and emptying the dust bag(made of cloth).** Failure to switch off, remove the battery cartridge and unplug the connected power tool may result in electric shock and serious personal injury.
- When the dust bag is about half full, remove the dust bag from the cleaner and pull the fastener out. Empty the dust bag of its contents, tapping it lightly so as to remove particles adhering to the insides which might hamper further collection.

NOTE:

- **For the time to empty the dust bag, use a guide line that the dust bag becomes full when drilling about 450 holes with 6.5 mm diameter and 40 mm depth on the concrete.** A dust bag clogged with the built up particles may reduce the dust collection power and cause damage to the cleaner motor.

⚠CAUTION:

- **Attach the dust bag (made of cloth) to the dust bag joint securely and close the fastener completely before use.** Failure to attach the dust bag securely and close its fastener completely may cause blow-out of dust and result in serious personal injury.

Fig.13

Pick up the square section of the dust bag joint firmly, turn it counterclockwise and then remove the dust bag.

Fig.14

Open the fastener and dispose of the dust.

⚠CAUTION:

- Remove all particles adhering to the fastener area.

MAINTENANCE

⚠WARNING:

- Always be sure that the cleaner is switched off and the battery cartridge is removed before attempting to perform inspection or maintenance.

Cleaning the filter area

⚠CAUTION:

- Do not pick up materials other than dust, such as stone, wood chip and the like since this cleaner is intended for dust collection. Picking up stone, wood chip and the like may cause damage to the fan and the cleaner.

Fig.15

Check and clean up the filter area in the suction inlet regularly. Remove foreign objects which will obstruct suction.

Cleaning

From time to time wipe off the outside (cleaner body) of the cleaner using a cloth dampened in soapy water.

⚠CAUTION:

- Never use gasoline, benzene, thinner, alcohol or the like. Discoloration, deformation or cracks may result.

To maintain product SAFETY and RELIABILITY, repairs, any other maintenance or adjustment should be performed by Makita Authorized Service Centers, always using Makita replacement parts.

OPTIONAL ACCESSORIES

⚠CAUTION:

- These accessories or attachments are recommended for use with your Makita cleaner specified in this manual. The use of any other accessories or attachments might present a risk of injury to persons. Only use accessory or attachment for its stated purpose.

If you need any assistance for more details regarding these accessories, ask your local Makita Service Center.

- Nozzles
- Dust bags
- Hoses
- Front cuffs
- Shoulder straps
- Makita genuine battery and charger

NOTE:

- Some items in the list may be included in the tool package as standard accessories. They may differ from country to country.

SVENSKA (Originalbruksanvisning)

VARNING: Denna maskin kan användas av barn från 8-års ålder och äldre samt personer med nedsatt fysisk, sensorisk eller mental kapacitet eller brist på erfarenhet och kunskap förutsatt att de har fått handledning eller instruktioner om hur maskinen används på rätt sätt och förstår riskerna som det medför. Barn ska inte leka med maskinen. Rengöring och användarunderhåll ska inte utföras av barn utan tillsyn.

Förklaring till översiktsbilderna

1-1. Röd indikator	7-1. Axelrem	11-2. Sågblad
1-2. Knapp	7-2. Två krokar	11-3. Bottenplatta
1-3. Batterikassett	8-1. Dra ut	11-4. Skärdjup
2-1. Stjämmarkering	8-2. För förkortning	11-5. Gipsskiva
3-1. Knappen HIGH/LOW	8-3. För förlängning	12-1. Utblås (luftventil)
3-2. Av-knapp	9-1. Främre koppling	12-2. Munstycke
4-1. Krok	9-2. Slang	12-3. Stift
5-1. Tapp	9-3. Ta bort	13-1. Anslutning på dammsugarpåse
6-1. Stift	9-4. Montera	13-2. Fyrkantig sektion
6-2. Ring	11-1. Dekorationspapper	15-1. Filterområde

SPECIFIKATIONER

Modell		DVC340	DVC350
Kapacitet	Volym	3,0 L	
	Max. luftvolym	3,3 m ³ /min	3,4 m ³ /min
Kontinuerlig användning (Ungefär)	Hög	4 min (med BL1415)	6 min (med BL1815)
		5 min (med BL1415N)	7 min (med BL1815N)
		-	8 min (med BL1820)
		10 min (med BL1430)	13 min (med BL1830)
		13 min (med BL1440)	18 min (med BL1840)
	Låg	-	21 min (med BL1850)
		8 min (med BL1415)	12 min (med BL1815)
		10 min (med BL1415N)	14 min (med BL1815N)
		-	16 min (med BL1820)
		20 min (med BL1430)	26 min (med BL1830)
	26 min (med BL1440)	36 min (med BL1840)	
	-	42 min (med BL1850)	
Längd		403 mm	
Vikt		2,1 kg (BL1415 / BL1415N)	2,2 kg (BL1815 / BL1815N / BL1820)
		2,3 kg (BL1430 / BL1440)	2,4 kg (BL1830 / BL1840 / BL1850)
Märkspänning		14,4 V likström	18 V likström

- På grund av vårt pågående program för forskning och utveckling kan dessa specifikationer ändras utan föregående meddelande.
- Specifikationer och batterikassett kan variera från land till land.
- Vikt med batterikassett i enlighet med EPTA-procedur 01/2003

Användningsområde

Det här redskapet är avsett för insamling av torr damm.
ENG905-1

Buller

Typiska A-vägda bullernivån är mätt enligt EN60745:

Modell DVC340

Ljudtrycksnivå (L_{pA}): 81 dB (A)
Ljudeffektnivå (L_{WA}): 92 dB (A)
Måttolerans (K) : 3 dB (A)

Modell DVC350

Ljudtrycksnivå (L_{pA}): 84 dB (A)
Ljudeffektnivå (L_{WA}): 95 dB (A)
Måttolerans (K) : 3 dB (A)

Använd hörselskydd

ENG900-1

Vibration

Vibrationens totalvärde (tre-axlars vektorsumma) mätt enligt EN60745:

Arbetsläge: drift utan belastning
Vibrationsemission (a_{h1}): 2,5 m/s² eller lägre
Måttolerans (K): 1,5 m/s²

ENG901-1

- Det deklarerade vibrationsemissionsvärdet har uppmätts i enlighet med standardtestmetoden och kan användas för jämförandet av en maskin med en annan.
- Det deklarerade vibrationsemissionsvärdet kan också användas i preliminär bedömning av exponering för vibration.

⚠ VARNING!

- Vibrationsemissionen under faktisk användning av maskinen kan skilja sig från det deklarerade emissionsvärdet, beroende på hur maskinen används.
- Se till att hitta säkerhetsåtgärder som kan skydda användaren och som grundar sig på en uppskattning av exponering i verkligheten (ta med i beräkningen alla delar av användandet såsom antal gånger maskinen är avstängd och när den körs på tomgång samt då startomkopplaren används).

GEA010-1

Allmänna säkerhetsvarningar för maskin

⚠ **VARNING** Läs igenom alla säkerhetsvarningar och instruktioner. Underlåtenhet att följa varningar och instruktioner kan leda till elektrisk stöt, brand och/eller allvarliga personskador.

Spara alla varningar och instruktioner för framtida referens.

SÄKERHETSVARNINGAR FÖR BATTERIDRIVEN DAMMSUGARE

⚠ **VARNING! VIKTIGT! LÄS NOGGRANT** igenom alla säkerhetsvarningar och anvisningar **FÖRE ANVÄNDNING**. Underlåtenhet att följa varningar och anvisningar kan leda till elektrisk stöt, brand och/eller allvarliga personskador.

1. Användare måste ha tillräcklig kunskap om hur denna dammsugare fungerar.
2. Denna dammsugare är inte lämplig att suga upp farligt damm med.
3. Denna dammsugare är endast avsedd för torrsugning.
4. Denna dammsugare är endast till för inomhusanvändning.
5. Denna dammsugare ska endast förvaras inomhus.
6. Plocka inte upp följande material:
 - Varmt material såsom tända cigaretter eller gnist-/metalldamm från slipad/sågad metall
 - Lättantändliga material såsom bensen, thinner, fotogen eller färg
 - Explosivt material som nitroglycerin
 - Andtändningsbart material såsom aluminium, zink, magnesium, titan, fosfor eller celluloid
 - Blöt smuts, vatten, olja eller liknande
 - Hårda bitar med vassa kanter såsom träflisor, metaller, stenar, glas, spikar, stift eller rakblad
 - Pulver som klumpar ihop sig såsom cement eller toner
 - Ledanade damm såsom metall eller kol
 - Fina korn som betongdamm

Att göra detta kan orsaka brand, skada och/eller skada på egendom.

7. Stanna maskinen omedelbart om du lägger märke till något onormalt.
8. Använd inte dammsugaren nära kaminer eller andra värmekällor.
9. Blockera inte intagshålet eller ventilationshålen.
10. Lämna inte dammsugaren med batteriet isatt. Ta bort batteriet från apparaten när den inte används och före service.
11. Tillåt inte att den används som en leksak. Stor uppmärksamhet är nödvändigt när den används i barns närhet.
12. Använd den endast enligt beskrivningen i bruksanvisningen. Använd endast tillverkarens rekommenderade tillsatser.
13. Placera inte något föremål i öppningarna. Använd inte dammsugaren om någon av öppningarna är blockerade och håll den ren från damm, trådar, hår samt allt som kan minska luftflödet.

14. Var extra försiktig vid rengöring av trappor.
15. När dammsugaren används som en blåsenhet
 - ska alltid skyddsglasögon, mössa och ansiktsmask bäras under användningen.
 - ska du alltid kontrollera att dammsugaren är avstängd och att batterikassetten är borttagen innan du tar bort ett hinder.
 - ska du alltid se till att ha balans på slutningar.
 - ska du gå, aldrig springa.
 - ska du aldrig rikta munstycket mot någon i närheten.
 - Se till att alla muttrar, bultar och skruvar är åtdragna för att alltid bibehålla dammsugaren i säkert arbetsskick.
 - Förvara dammsugaren endast på en torr plats.
 - Användaren är ansvarig för olyckor och eventuell fara gentemot andra personer och deras egendom.

BEHÅLL FÖR FRAMTIDA BRUK

VARNING!

GLÖM INTE att noggrant följa säkerhetsanvisningarna för maskinen även efter det att du har blivit van att använda den. **OVARSAM** hantering eller underlåtenhet att följa säkerhetsanvisningarna i denna bruksanvisning kan leda till allvarliga personskador.

Denna dammsugare är avsedd för användning av både hushåll och handeln, t ex för hotell, skolor, sjukhus, fabriker, affärer och kontor.

ENC007-8

VIKTIGA SÄKERHETSANVISNINGAR FÖR BATTERIKASSETT

1. Innan batterikassetten används ska alla instruktioner och varningsmärken på (1) batteriladdaren, (2) batteriet och (3) produkten läsas.
2. Montera inte isär batterikassetten.
3. Om driftstiden blivit avsevärt kortare ska användningen avbrytas omedelbart. Det kan uppstå överhettning, brännskador och t o m en explosion.
4. Om du får elektrolyt i ögonen ska de sköljas med rent vatten och läkare uppsökas omedelbart. Det finns risk för att synen förloras.
5. Kortslut inte batterikassetten.
 - (1) Rör inte vid polerna med något strömförande material.
 - (2) Undvik att förvara batterikassetten tillsammans med andra metallobjekt som t ex spikar, mynt etc.
 - (3) Skydda batteriet mot vatten och regn.

Ett kortslutet batteri kan orsaka ett stort strömflöde, överhettning, risk för brännskador och maskinen kan till och med gå sönder.

6. Förvara inte maskinen och batterikassetten på platser där temperaturen kan nå eller överstiga 50 ° C (122 ° F).
7. Bränn inte upp batterikassetten även om den är svårt skadad eller helt utsliten. Batterikassetten kan explodera i öppen eld.
8. Var försiktig så att du inte råkar tappa batteriet och utsätt det inte för stötar.
9. Använd inte ett skadat batteri.
10. Följ lokala föreskrifter beträffande avfallshantering av batteriet.

SPARA DESSA ANVISNINGAR.

Tips för att uppnå batteriets maximala livslängd

1. Ladda batterikassetten innan den är helt urladdad.
Sluta att använda maskinen och ladda batterikassetten när du märker att kraften avtar.
2. Ladda aldrig en fulladdad batterikasset.
3. Ladda batterikassetten vid rumstemperaturer mellan 10 ° C och 40 ° C (50 ° F - 104 ° F). Låt en varm batterikasset svalna innan den laddas.
4. Ladda batterikassetten om du inte har använt den på mer än sex månader.

FUNKTIONSBESKRIVNING

⚠FÖRSIKTIGT!

- Se alltid till att dammsugaren är avstängd och batterikassetten borttagen innan du justerar eller kontrollerar dammsugarens funktioner.

Montera eller demontera batterikassetten

Fig.1

⚠FÖRSIKTIGT!

- Stäng alltid av dammsugaren innan du monterar eller tar bort batterikassetten.
- **Håll stadigt i dammsugaren och batterikassetten när du installerar eller tar bort batterikassetten.** Om du inte håller stadigt i dammsugaren och batterikassetten kan de halka ur dina händer och skadas samt orsaka personskada.

Ta bort batterikassetten genom att skjuta ner knappen på kassetterns framsida samtidigt som du drar ut batterikassetten.

Sätt i batterikassetten genom att rikta in tungan på batterikassetten mot spåret i höljets och skjut den på plats. Tryck in batterikassetten ordentligt tills den låser fast med ett klick. Om du kan se den röda indikatorn på knappens ovansida är batterikassetten inte låst ordentligt.

⚠FÖRSIKTIGT!

- För alltid in batterikassetten helt tills den röda indikatorn inte längre syns. I annat fall kan den oväntat lossna från dammsugaren och skada dig eller någon annan.
- Montera inte batterikassetten med våld. Om kassetten inte lätt glider på plats är den felisatt.

Skyddssystem för batteri

Dammsugaren är utrustad med ett skyddssystem, vilket automatiskt bryter den utgående strömmen för att förlänga dess livslängd.

Dammsugaren stängs av under användningen när den och/eller batteriet hamnar i följande situation. Detta orsakas av att skyddssystemet aktiveras och betyder inte att det är problem med dammsugaren.

- När dammsugaren är överbelastad:
Tryck då på knappen "OFF" och åtgärda orsaken till överbelastningen och tryck sedan på knappen "HIGH/LOW" igen för att starta om.
- När batteriet blir varmt: (se anmärkningen nedan.)
Om "HIGH/LOW"- eller "OFF"-knappen används förblir motorn avstängd. Sluta då använda dammsugaren och kyl av eller ladda batteriet när det tagits ur dammsugaren.
- När den kvarvarande batterikapaciteten blir låg:
Om "HIGH/LOW"- eller "OFF"-knappen används förblir motorn avstängd. Ta då ur batteriet från dammsugaren och ladda det.

OBS!

- Detta överhettningsskydd används endast när dammsugaren är försedd med ett stjärnmärkt batteri.

Fig.2

Avtryckarens funktion

Fig.3

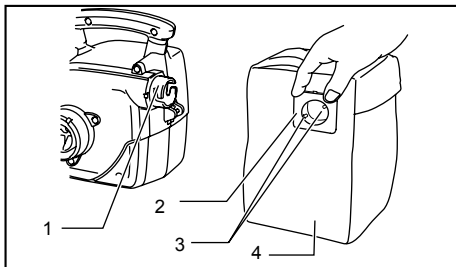
Tryck på knappen "HIGH/LOW" för att starta dammsugaren. För att stänga av den, tryck på knappen "OFF". Tryck på knappen "HIGH/LOW" för att ändra sugstyrkan. Det första trycket på denna knapp är för hög sugstyrka och det andra trycket för låg sugstyrka, och varje tryck på denna knapp upprepar sedan alternativt den höga/låga sugstyrkan.

MONTERING

⚠FÖRSIKTIGT!

- Se alltid till att dammsugaren är avstängd och batterikassetten borttagen innan underhållsarbete utförs på dammsugaren.
- Att arbeta med batterikassetten isatt i dammsugaren kan orsaka personskador eller skador på föremålen runt dammsugaren.

Montering av dammpåse



1. Dammutblås
2. Anslutning på dammsugarpåse
3. Stift
4. Dammpåse

011113

Ta tag i den fyrkantiga sektionen på dammsugarpåsens anslutning och passa in stiften på insidan av den med skårorna i dammutkastet på dammsugaren. För sedan in anslutningen och vrid den medurs hela vägen tills det tar stopp.

Fig.4

Kontrollera nu så att den förslutande delen på dammsugarpåsen är vänd uppåt.

OBS!

- När dammsugarpåsens anslutningsdel och ringen inuti dammsugarpåsen lossnar, montera på följande sätt.
(1) Rikta in dammsugarpåsens anslutningsdel med sömmen på dammsugarpåsen och montera den så att dess utskjutande del är vänd uppåt.

Fig.5

- (2) Fäst ringen på insidan av dammsugarpåsen ordentligt så att stiften och ringen är placerade såsom visas i figuren.

Fig.6

Montering av axelband

Fig.7

Fäst den ena kroken för axelremmen på ringen framtill på dammsugaren och tryck den andra änden av remmen genom dammsugarpåsens band och fäst sedan den andra kroken såsom visas i figuren.

Justera axelremmen

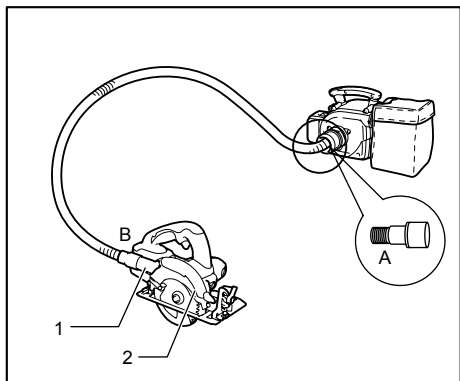
Fig.8

För att justera längden för axelremmen ska du ta ut den till önskad längd och dra remmen i pilens riktning, såsom visas i figuren.

Anslutning av slangen

⚠FÖRSIKTIGT!

- **Tvinga inte slangen så att den böjs och/eller trampa på den.** I annat fall kan det orsaka deformation eller skada på slangen.
- **Dra inte i slangen för att bära dammsugaren.** I annat fall kan det orsaka deformation eller skada på slangen.



1. Dammtblås

2. Maskin

011119

För in slangändan "A" i sugöppningen för dammsugaren och vrid den medurs hela vägen tills den låser fast. Fäst kopplingen på slangändan "B" och anslut den sedan till dammtsuguet på en maskin.

Utbyte av den främre kopplingen

Byt den främre slangkopplingen i enlighet med storleken för dammtsuguet för maskinen som du använder.

Fig.9

För att ta bort den främre kopplingen håller du i slangen och vrider kopplingen moturs.

För att montera den främre kopplingen vrider du den medurs och skruvar sedan in den tills det tar stopp.

ANVÄNDNING

⚠VARNING!

- Använd inte axelremmen när du arbetar på hög höjd.
- Vid användning av dammsugaren som en stationär dammsugare ska den placeras på en plan och stabil yta.

Dammsugare

Fig.10

Vid användning av dammsugaren som en portabel dammsugare, ska axelremmen korsas över bröstet så att du inte tappar den så lätt.

Fig.11

OBS!

- Långa remsor av dekorpapper från gipsskiva, beroende på arbetstyckets förhållande, kan sugas in i slangen och blockera den. Om detta händer ska du sätta sågdjupsinställningen för maskinen så att det blir djupare, vilket lossar blockeringen i slangen.

⚠FÖRSIKTIGT!

- När dammsugarpåsen är ny kan det hända att damm tränger ut från ytan. Genom att använda den några gånger minskar dammläckaget från ytan.

Användning av dammsugaren med ett munstycke eller en dammsugarpåse monterad

⚠VARNING!

- **Kontrollera alltid att dammsugaren är avstängd och att batterikassetten är borttagen innan du monterar eller tar bort munstycket eller någon annan tillsats på dammsugaren.** I annat fall kan det orsaka allvarlig personskada.

OBS!

- Innan användningen för blåsläget och direkt efter dammsugeläget ska allt kvarvarande damm tas bort från dammsugaren p.g.a. möjligheten att damm blåser ut.

Använd som en bläsenhet

Fig.12

Montera munstycket på utblåset (luftventil) ordentligt.

För att montera munstycket passar du in stiften, som skjuter ut från insidan av munstycket, med en av dammsugarens skåror och vrider sedan munstycket medurs ordentligt.

För att ta bort munstycket vrider du det moturs och drar ut det.

Rikta översta delen av dammsugaren och sätt sedan på den.

Töm dammsugarpåsen

⚠VARNING!

- **Kontrollera alltid att både dammsugaren och den anslutna maskinen är avstängda och att batterikassetten är borttagen, och att maskinen, om den har kabel, inte är elansluten innan du monterar eller tar bort dammsugarpåsen på dammsugaren och tömmer påsen (tillverkad av tyg).** I annat fall kan det orsaka elektrisk stöt och allvarlig personskada.
- När dammsugarpåsen är halvfull ska den tas bort från dammsugaren och förslutaren öppnas. Töm dammsugarpåsen på dess innehåll och knacka på den lätt för att ta bort partiklar som har fastnat på insidan, vilka kan hindra fortsatt uppsamling.

OBS!

- **När det är dags att tömma dammsugarpåsen kan följande riktlinje beaktas, att dammsugarpåsen blir full vid borring av cirka 450 hål med 6,5 mm diameter och 40 mm djup i cement.** En dammsugarpåse som är igentäppt med uppbyggda partiklar kan minska dammuppsamlingsprestandan och orsaka skada på dammsugemotorn.

⚠FÖRSIKTIGT!

- **Fäst dammsugarpåsen (tillverkad av tyg) på dess anslutningsdel ordentligt och förslut den fullständigt före användning.** I annat fall kan det orsaka utblås av damm och resultera i allvarlig personskada.

Fig.13

Ta upp den fyrkantiga sektionen på dammsugarpåsens anslutning ordentligt, vrid den moturs och ta sedan bort dammsugarpåsen.

Fig.14

Öppna förslutaren och töm ut dammet.

⚠FÖRSIKTIGT!

- Ta bort alla partiklar som fastnat på förslutaren.

UNDERHÅLL

⚠VARNING!

- Kontrollera alltid att dammsugaren är avstängd och att batterikassetten är borttagen innan du försöker att utföra inspektion eller underhåll.

Rengöring av filterområdet

⚠FÖRSIKTIGT!

- Sug inte upp annat material än damm, såsom stenar, träspån eller liknande eftersom denna dammsugare är avsedd för dammuppsamling. I annat fall kan det orsaka skada på fläkten och dammsugaren.

Fig.15

Kontrollera och rengör filterområdet i insugsöppningen regelbundet. Ta bort främmande föremål vilka kommer att blockera insugning.

Rengöring

Torka regelbundet av dammsugarens utsida med en trasa fuktad i tvålvatten.

⚠FÖRSIKTIGT!

- Använd inte bensin, thinner, alkohol eller liknande. Missfärgning, deformation eller sprickor kan uppstå.

För att upprätthålla produktens SÄKERHET och TILLFÖRLITLIGHET bör allt underhålls- och justeringsarbete utföras av ett auktoriserat Makita servicecenter och med reservdelar från Makita.

VALFRIA TILLBEHÖR

⚠FÖRSIKTIGT!

- Följande tillbehör och tillsatser rekommenderas för användning tillsammans med dammsugaren från Makita som denna bruksanvisning avser. Att använda andra tillbehör eller tillsatser kan orsaka personskador. Använd endast tillbehör eller tillsatser för avsett ändamål.

Kontakta ditt lokala Makita servicecenter om du behöver ytterligare information om dessa tillbehör.

- Munstycken
- Dammsugarpåsar
- Slangar
- Främre kopplingar
- Axelremmar
- Makitas originalbatteri och -laddare

OBS!

- Några av tillbehören i listan kan vara inkluderade i maskinpaketet som standardtillbehör. De kan variera mellan olika länder.

NORSK (originalinstruksjoner)

ADVARSEL: Dette apparatet kan brukes av barn fra 8 år og oppover og av personer med reduserte fysiske, sensoriske eller mentale evner eller mangel på erfaring og kunnskap, såfremt de holdes under oppsyn, har blitt gitt instruksjoner om sikker bruk av apparatet og forstår farene som er involvert. Barn skal ikke leke med apparatet. Rengjøring og brukervedlikehold skal ikke utføres av barn uten oppsyn.

Oversiktsforklaring

1-1. Rød indikator	7-1. Skulderstropp	11-2. Sagblad
1-2. Knapp	7-2. To kroker	11-3. Feste
1-3. Batteri	8-1. Dra ut	11-4. Skjæredybde
2-1. Stjernemerke	8-2. For innkorting	11-5. Gipsplate
3-1. HØY/LAV-knapp	8-3. For forlengelse	12-1. Utløp (luftehull)
3-2. Av-knapp	9-1. Frontmansjett	12-2. Munnstykke
4-1. Bøyle	9-2. Slange	12-3. Stift
5-1. Fremspring	9-3. Fjern	13-1. Støvposefeste
6-1. Stifter	9-4. Installer	13-2. Firkantprofil
6-2. Ring	11-1. Dekorasjonspapir	15-1. Filterområde

TEKNISKE DATA

Modell		DVC340	DVC350
Kapasitet	Volum	3,0 L	
	Maks. luftvolum	3,3 m ³ /min	3,4 m ³ /min
Kontinuerlig bruk (ca.)	Høy	4 min (med BL1415)	6 min (med BL1815)
		5 min (med BL1415N)	7 min (med BL1815N)
		-	8 min (med BL1820)
		10 min (med BL1430)	13 min (med BL1830)
		13 min (med BL1440)	18 min (med BL1840)
		-	21 min (med BL1850)
	Lav	8 min (med BL1415)	12 min (med BL1815)
		10 min (med BL1415N)	14 min (med BL1815N)
		-	16 min (med BL1820)
		20 min (med BL1430)	26 min (med BL1830)
		26 min (med BL1440)	36 min (med BL1840)
		-	42 min (med BL1850)
Total lengde		403 mm	
Nettvekt		2,1 kg (BL1415 / BL1415N)	2,2 kg (BL1815 / BL1815N / BL1820)
		2,3 kg (BL1430 / BL1440)	2,4 kg (BL1830 / BL1840 / BL1850)
Merkespenning		DC 14,4 V	DC 18 V

- Som følge av vårt kontinuerlige forsknings- og utviklingsprogram kan de tekniske dataene endres uten ytterligere forvarsel.
- Tekniske data og batteri kan variere fra land til land.
- Vekt, med batteri, i henhold til EPTA-prosedyre 01/2003

Beregnet bruk

Denne maskinen er laget for å samle opp tørt støv.

ENG905-1

Støy

Typisk A-vektet lydtrykknivå er bestemt i henhold til EN60745:

Modell DVC340

Lydtrykknivå (L_{pA}): 81 dB (A)
 Lydeffektnivå (L_{WA}): 92 dB (A)
 Usikkerhet (K): 3 dB (A)

Modell DVC350

Lydtrykknivå (L_{pA}): 84 dB (A)
 Lydeffektnivå (L_{WA}): 95 dB (A)
 Usikkerhet (K): 3 dB (A)

Bruk hørselvern

ENG900-1

Vibrasjon

Den totale vibrasjonsverdien (triaksial vektorsum) bestemt i henhold til EN60745:

Arbeidsmåte: Drift uten belastning
 Genererte vibrasjoner (a_{H1}): 2,5 m/s² eller mindre
 Usikkerhet (K): 1,5 m/s²

ENG901-1

- Den angitte verdien for de genererte vibrasjonene er blitt målt i samsvar med standardtestmetoden og kan brukes til å sammenlikne et verktøy med et annet.
- Den angitte verdien for de genererte vibrasjonene kan også brukes til en foreløpig vurdering av eksponeringen.

⚠ ADVARSEL:

- De genererte vibrasjonene ved faktisk bruk av elektroverktøyet kan avvike fra den oppgitte vibrasjonsverdien, avhengig av hvordan verktøyet brukes.
- Vær påpasselig med å finne sikkerhetstiltak som beskytter operatøren, basert på en oppfatning av risiko under faktiske bruksforhold (på bakgrunn av alle sider ved brukssyklusen, som når verktøyet slås av og når det går på tomgang, i tillegg til oppstarten).

GEA010-1

Generelle advarsler angående sikkerhet for elektroverktøy

⚠ **ADVARSEL** Les alle sikkerhetsadvarslene og alle instruksjonene. Hvis du ikke følger alle advarslene og instruksjonene som er oppført nedenfor, kan det føre til elektriske støt, brann og/eller alvorlige helseskader.

Oppbevar alle advarsler og instruksjoner for senere bruk.

SIKKERHETSADVARSLER FOR TRÅDLØS STØVSUGER

⚠ **ADVARSEL! VIKTIG. LES NØYE alle sikkerhetsadvarsler og instruksjoner FØR BRUK.** Hvis du ikke følger alle advarslene og instruksjonene som er oppført nedenfor, kan det føre til elektriske støt, brann og/eller alvorlige helseskader.

1. **Operatørene må få riktig opplæring i bruk av støvsugeren.**
 2. **Støvsugeren er ikke egnet for oppsuging av farlig støv.**
 3. **Støvsugeren er bare for tørr bruk.**
 4. **Støvsugeren skal bare brukes innendørs.**
 5. **Støvsugeren skal bare oppbevares innendørs.**
 6. **Ikke plukk opp følgende materialer:**
 - Varmer materialer som påtente sigaretter eller gnister/metallstøv fra sliping/kutting av metall
 - Brennbare materialer som bensin, tynner, lettbensin, parafin eller maling
 - Eksplosive materialer som nitroglyserin
 - Antennelige materialer som aluminium, sink, magnesium, titanium, fosfor eller celluloid
 - Fuktig jord, vann, olje eller lignende
 - Harde objekter med skarpe kanter som treflisser, metaller, steiner, glass, spiker, nåler eller barberblader
 - Pulver som kan stivne som sement eller toner
 - Elektrisk ledende støv fra metall eller karbon
 - Fine partikler som sementstøv
- Slike handlinger kan forårsake brann, personskaade og/eller materielle skader.
7. Hvis du merker at noe er uvanlig, må du omgående stoppe arbeidet.
 8. Ikke plasser maskinen nær ovner eller andre varmekilder.
 9. Ikke blokker inntaksåpningen eller ventilasjonsåpningene.
 10. Ikke forlat støvsugeren med batteriet i. Fjern batteriet fra apparatet når den ikke er i bruk og før service.
 11. Ikke bruk støvsugeren som leketøy. Vær ekstra oppmerksom når den brukes nært barn.
 12. Bruk støvsugeren bare som beskrevet i denne manualen. Bruk bare vedlegget som er anbefalt av produsenten.
 13. Ikke putt gjenstander inn i åpningene. Ikke bruk støvsugeren hvis noen av åpningene er blokkert; hold den fri for støv, lo, hår og annet som kan redusere luftstrømmen.
 14. Vær ekstra forsiktig ved rengjøring av trapper.

15. Når du bruker støvsugeren som blåser,
 - må du alltid ha på deg vernebriller, hette og maske;
 - kontroller alltid at støvsugeren er slått av og at batteriet er fjernet før du fjerner en tilstopping;
 - pass alltid på at du har godt fotfeste når du arbeider i hellinger;
 - gå, aldri spring;
 - aldri rett munnstykket mot noen i nærheten;
 - Hold alle mutre, bolter og skruer stramme for å sikre at støvsugeren alltid er i driftssikker stand;
 - Oppbevar støvsugeren kun på et tørt sted;
 - Operatøren eller brukeren holdes ansvarlig for eventuelle skader på personer eller eiendeler.

OPPBEVAR FOR FREMTIDIG REFERANSE

⚠ ADVARSEL:

Selv om du har brukt produktet mye og føler deg fortrolig med det, er det likevel svært viktig at du følger nøye de retningslinjene for sikkerhet som er utarbeidet for dette produktet. MISBRUK av verktøyet eller mislighold av sikkerhetsreglene i denne brukerhåndboken kan resultere i alvorlige helseskader.

Støvsugeren er beregnet for både privat og kommersiell bruk, f.eks. i hoteller, skoler, sykehus, fabrikker, forretninger, kontorer og utleievirksomhet.

ENC007-8

VIKTIGE SIKKERHETSINSTRUKSJONER FOR BATTERIET

1. Før du begynner å bruke batteriet, må du lese alle anvisninger og forsiktighetsregler på (1) batteriladeren, (2) batteriet og (3) det produktet batteriet skal brukes i.
2. Ikke ta fra hverandre batteriet.
3. Hvis driftstiden er blitt vesentlig kortere, må du omgående slutte å bruke maskinen. Hvis ikke kan resultatet bli overoppheting, mulige forbrenninger eller til og med en eksplosjon.
4. Hvis du får elektrolytt i øynene, må du skylle dem med store mengder rennende vann og oppsøke lege med én gang. Denne typen uhell kan føre til varig blindhet.
5. Ikke kortslett batteriet.
 - (1) Ikke berør batteripolene med ledende materialer.
 - (2) Ikke lagre batteriet i samme beholder som andre metallgjenstander, som for eksempel spiker, mynter osv.

- (3) Ikke la batteriet komme i kontakt med vann eller regn.

En kortslutning av batteriet kan føre til et kraftig strømstøt, overoppheting, mulige forbrenninger og til og med til at batteriet går i stykker.

6. Ikke lagre maskinen og batteriet på steder hvor temperaturen kan komme opp i eller overskride 50 ° C (122 ° F).
7. Ikke sett fyr på batteriet, ikke engang om det er sterkt skadet eller helt utslitt. Batteriet kan eksplodere hvis det begynner å brenne.
8. Vær forsiktig så du ikke mister batteriet eller utsetter det for slag.
9. Ikke bruk batterier som er skadet.
10. Følg lokale bestemmelser for avhengig av batterier.

TA VARE PÅ DISSE INSTRUKSENE.

Tips for å opprettholde maksimal batterilevetid

1. Lad batteriet igjen før det er fullstendig utladet. Hold alltid opp å bruke maskinen når du merker at det er lite strøm på batteriet. Sett batteriet til lading.
2. Et helt oppladet batteri må aldri settes til ny lading. Overopplading forkorter batteriets levetid.
3. Lad batteriet ved romtemperatur ved 10 ° C - 40 ° C (50 ° F - 104 ° F). Hvis batteriet er varmt, må det få avkjøle seg før lading.
4. Lad batteriet én gang hver sjette måned hvis det ikke blir brukt i en lengre periode.

FUNKSJONSBEKRIVELSE

⚠️ FORSIKTIG:

- Før du justerer eller kontrollerer støvsugeren, må du passe på at støvsugeren er slått av og at batteriet er fjernet.

Sette inn eller ta ut batteri

Fig.1

⚠️ FORSIKTIG:

- Slå alltid av støvsugeren før du setter inn eller fjerner batteriet.
- **Hold godt rundt støvsugeren og batteriet når du setter inn eller tar ut batteriet.** Hvis du mister ned støvsugeren eller batteriet, kan dette forårsake personskader eller skader på støvsugeren/batteriet.

For å ta ut batteriet må du skyve på knappen foran på batteriet og trekke det ut.

Når du skal sette inn batteriet, må du plassere tungen på batteriet på linje med sporet i huset og skyve batteriet på plass. Skyv det helt inn til det går i inngrep med et lite klikk. Hvis du kan se den røde anviseren på oversiden av knappen, er det ikke gått skikkelig i lås.

⚠️ FORSIKTIG:

- Batteriet må alltid settes helt inn, så langt at den røde anviseren ikke lenger er synlig. Hvis dette ikke gjøres, kan batteriet komme til å falle ut av støvsugeren og skade deg eller andre som oppholder seg i nærheten.
- Ikke bruk makt når du setter i batteriet. Hvis batteriet ikke glir lett inn, er det fordi det ikke settes inn på riktig måte.

Batteribeskyttelsessystem

Støvsugeren er utstyrt med et beskyttelsessystem som automatisk bryter utgangsstrømmen, slik at batteriet varer lengre.

Maskinen kan stoppe under bruk når maskinen og/eller batteriet er i nedenstående situasjon. Dette skyldes at beskyttelsessystemet er aktivert og betyr ikke at det er noe feil med maskinen.

- Når rengjøringsmaskinen er overbelastet:
Trykk på bryteren "OFF" og fjern årsaken til overbelastningen. Trykk deretter knappen "HØY/LAV" for å starte maskinen på nytt.
- Når batteriet blir varmt: (henvis til merknaden nedenfor.)
Ved berøring av knappen "HØY/LAV" og knappen "OFF" starter ikke motoren. Ikke bruk rengjøringsmaskinen, og avkjøl eller lad batteriet etter at batteriet er fjernet fra maskinen.
- Når det er lite strøm igjen på batteriet:
Ved berøring av knappen "HØY/LAV" og knappen "OFF" starter ikke motoren. Fjern batteriet fra rengjøringsmaskinen og lad batteriet.

MERK:

- Denne temperatursensitive beskyttelsen er bare aktiv når batteriet som brukes i rengjøringsmaskinen er merket med stjerne.

Fig.2

Bryterfunksjon

Fig.3

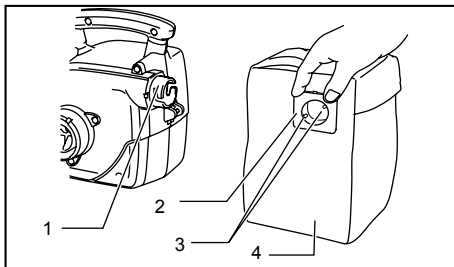
Trykk på knappen "HØY/LAV" for å starte støvsugeren. Trykk på knappen "OFF" for å slå av støvsugeren. Trykk på knappen "HØY/LAV" for å endre hastigheten på støvsugeren. Trykk én gang på knappen for høy hastighet, trykk to ganger på knappen for lav hastighet. Hvert videre trykk på knappen gjentar syklusen for høy/lav hastighet.

MONTERING

⚠️ FORSIKTIG:

- Kontroller alltid at støvsugeren er slått av og at batteriet er fjernet, før du utfører arbeid på støvsugeren.
- Alt arbeid på støvsugeren når batteriet er montert kan forårsake personskader eller skader på gjenstander rundt støvsugeren.

Montere støvpose



1. Støvtøp
2. Støvposefeste
3. Stifter
4. Støvpose

011113

Hold firkantprofilen på støvposefestet. Låsepinnene på innsiden av støvposefestet plasseres i hakkene på støvtøpøpet. Sett inn munnstykket og vri det med klokken til det stopper.

Fig.4

Kontroller at festeanordningen for støvposen peker oppover.

MERK:

- Når støvposefestet og ringen på innsiden av støvposen løsner, monterer du som følger.
(1) Juster støvposefestet slik at det står på linje med sømnen på støvposen. Monter slik at den fremskytende delen vender oppover.

Fig.5

- (2) Stram ringen på innsiden av støvposen slik at låsepinnene og ringen er plassert som vist i figuren.

Fig.6

Sette på skulderstroppen

Fig.7

Den ene kroken på skulderstroppen festes til ringen foran på støvsugeren. Skyv den andre enden gjennom båndet på støvposen og fest deretter den andre endekroken som vist i figuren.

Justering av skulderstroppen

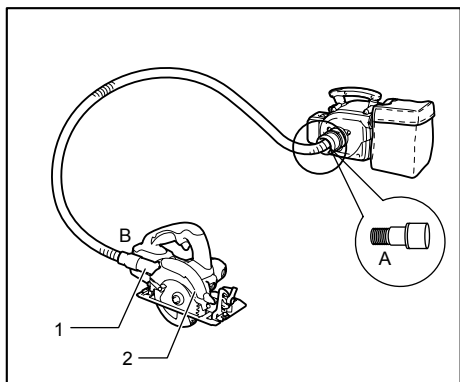
Fig.8

For å justere lengden på skulderstroppen, drar du ut stroppen til ønsket lengde. Dra stroppen i pilens retning som vist på figuren.

Tilkobling av slangen

⚠FORSIKTIG:

- **Ikke bøy slangen med makt eller tråkk på den.** Hvis du bøyer slangen med makt eller trækker på den, kan slangen bli misformet eller skadet.
- **Ikke bær støvsugeren etter slangen.** Hvis du drar i slangen, kan den bli misformet eller skadet.



1. Støvutløp

2. Elektrisk verktøy

011119

Den enden av slangen som er merket "A", settes inn i sugeåpningen på støvsugeren, og vris med klokken til den låses.

Mansjetten festes til den enden av slangen som er merket "B", og kobles til støvuttaket på et elektrisk verktøy.

Utskifting av frontmansjetten

Slangens frontmansjett tilpasses etter størrelsen på støvuttaket til det anvendte elektriske verktøyet.

Fig.9

Når du skal ta av frontmansjetten, holder du slangen og vrir frontmansjetten mot klokken.

Når du skal montere frontmansjetten, vrir du den med klokken til den stopper.

BRUK

⚠ADVARSEL:

- Ikke bruk skulderstroppen når du arbeider i høyden.
- Plasser støvsugeren på en flat og stabil overflate når du bruker støvsugeren som stasjonær støvsuger.

Støvsuger

Fig.10

Når du bruker støvsugeren som bærbar støvsuger, må du krysse skulderstroppene på brystet, slik at du ikke mister ned støvsugeren.

Fig.11

MERK:

- Ved kutting av gipsplater, kan det oppstå lange avkapp av dekorasjonspapir som kan samle seg inne i slangen og føre til at sugeslangen blokkeres. Når dette skjer, må du stille inn dypere skjæredybde, slik at blokkeringen i sugeslangen løses.

⚠FORSIKTIG:

- Når støvposen er ny kan det komme ut støv på overflaten. Etter noen timers bruk minimeres støvlekkasjen fra overflaten.

Bruk av støvsugeren når munnstykke eller støvpose er montert

⚠ADVARSEL:

- **Kontroller alltid at støvsugeren er slått av og at batteriet er fjernet før montering eller fjerning av munnstykket eller annet tilbehør på støvsugeren.** Hvis du unnlater å slå av støvsugeren og fjerne batteriet, kan det oppstå alvorlige personskader.

MERK:

- Hvis blåsmodus skal brukes umiddelbart etter rengjøringsmodus, må eventuelt gjenværende støv først fjernes. Dette for å unngå utblåsning av støv.

Ved bruk som blåser

Fig.12

Monter munnstykket på uttaket (luftehullet).

Ved montering av munnstykket, skal låsepinnen som stikker ut fra innsiden av munnstykket festes til ett av hakkene på støvsugeren. Vri deretter munnstykket med klokken.

Når du skal fjerne munnstykket, vrir du det mot klokken og drar det ut.

Vend den øverste delen av støvsugeren og slå den på.

Tømming av støvposen

⚠ADVARSEL:

- **Før du setter inn eller tar ut og tømmer støvposen (laget av tekstil) på støvsugeren, må du kontrollere at både støvsugeren og det tilkoblede elektriske verktøyet er slått av og batteriet er fjernet.** Hvis du unnlater å slå av støvsugeren, fjerner batteriet og trekke ut støpselet til det tilkoblede elektriske verktøyet, vil det være fare for elektrisk støt og alvorlige personskader.
- Når støvposen er omtrent halvfull, fjerner du støvsugeren fra støvsugeren og trekker ut festeanordningen. Tøm støvposen og bank den forsiktig for å fjerne partikler som har festet seg til innsiden og som kan hindre videre støvoppsamling.

MERK:

- **Retningslinje for å anslå når støvposen bør tømmes: støvposen er full etter boring av ca. 450 hull med 6,5 mm diameter og 40 mm dybde i betong.** Hvis støvposen tilstoppes, kan evnen til støvoppsamling bli redusert og det kan oppstå skader på støvsugermotoren.

⚠FORSIKTIG:

- **Fest støvposen (laget av tekstil) til støvposefestet og lukk festeanordningen fullstendig før bruk.** Hvis støvposen ikke festes sikkert og festeanordningen lukkes helt, kan det oppstå støvutblåsninger og alvorlige personskader.

Fig.13

Grip firkantprofilen på støvposefestet, vri den mot klokken og fjern deretter støvposen.

Fig.14

Åpne festeanordningen og tøm ut støvet.

⚠FORSIKTIG:

- Fjern alle partikler som har festet seg til området rundt festeanordningen.

VEDLIKEHOLD

⚠ADVARSEL:

- Kontroller alltid at støvsugeren er slått av og at batteriet er fjernet før du foretar inspeksjon eller vedlikehold.

Rengjøring av filteret

⚠FORSIKTIG:

- Støvsugeren er kun beregnet for oppsamling av støv. Den kan ikke brukes for å suge opp steiner, treflisser og lignende. Oppsuging av stein, treflisser og lignende kan forårsake skader på viften og støvsugeren.

Fig.15

Kontroller og rengjør jevnlig filteret i innsugingsinntaket. Fjern fremmedlegemer som kan forhindre innsugingen.

Rengjøring

Fra tid til annen må du tørke av utsiden av støvsugeren (støvsugerhuset) med en klut fuktet i såpevann.

⚠FORSIKTIG:

- Aldri bruk gasolin, bensin, tynner alkohol eller lignende. Det kan føre til misfarging, deformering eller sprekke dannelse.

For å opprettholde produktets SIKKERHET og PÅLITELIGHET, må reparasjoner, vedlikehold og justeringer utføres av Makitas autoriserte servicesentre, og det må alltid brukes reservedeler fra Makita.

VALGFRITT TILBEHØR

⚠FORSIKTIG:

- Det anbefales at du bruker dette tilbehøret eller verktøyet sammen med Makita-støvsugeren som er spesifisert i denne håndboken. Bruk av annet tilbehør og verktøy kan forårsake helseskader. Tilbehør og verktøy må kun brukes til det formålet det er beregnet for.

Ta kontakt med ditt lokale Makita-servicesenter hvis du trenger mer informasjon om dette tilbehøret.

- Munnstykker
- Støvposer
- Slanger
- Frontmansjetter
- Skulderstropper
- Makita originalbatteri og lader

MERK:

- Enkelte elementer i listen kan være inkludert som standardtilbehør i verktøypakken. Elementene kan variere fra land til land.

SUOMI (alkuperäiset ohjeet)

VAROITUS: Tätä laitetta voivat käyttää myös 8-vuotiaat tai sitä vanhemmat lapset sekä henkilöt, joiden fyysiset, sensoriset tai henkiset kyvyt ovat rajoittuneet tai joilla ei ole kokemusta tai tietoa laitteen käytöstä, jos he käyttävät laitetta valvotusti tai jos heille annetaan riittävät ohjeet laitteen käyttämiseksi turvallisella tavalla ja he ymmärtävät siihen liittyvät riskit. Lapset eivät saa leikkiä laitteella. Lapset eivät saa puhdistaa tai huoltaa laitetta ilman valvontaa.

Yleiselostus

1-1. Punainen ilmaisin	7-1. Olkahiha	11-2. Sahanterä
1-2. Painike	7-2. Kaksi koukku	11-3. Pohja
1-3. Akku	8-1. Vedä pois	11-4. Leikkaussyvyys
2-1. Tähtimerkki	8-2. Lyhentäminen	11-5. Kipsilevy
3-1. HIGH/LOW-painike	8-3. Pidentäminen	12-1. Poistoilmakanava
3-2. OFF-painiketta	9-1. Sovitinkappale	12-2. Suutin
4-1. Koukku	9-2. Letku	12-3. Tappi
5-1. Ulkonema	9-3. Irrota	13-1. Pölypussin liitin
6-1. Tapit	9-4. Kiinnitä	13-2. Neliömäinen osa
6-2. Rengas	11-1. Koristepaperi	15-1. Suodatinalue

TEKNISET TIEDOT

Malli		DVC340	DVC350
Kapasiteetti	Tilavuus	3,0 l	
	Maks. ilman tilavuus	3,3 m ³ /min	3,4 m ³ /min
Jatkuva käyttö (Noin)	Korkea	4 min (BL1415)	6 min (BL1815)
		5 min (BL1415N)	7 min (BL1815N)
		-	8 min (BL1820)
		10 min (BL1430)	13 min (BL1830)
		13 min (BL1440)	18 min (BL1840)
	Pieni	-	21 min (BL1850)
		8 min (BL1415)	12 min (BL1815)
		10 min (BL1415N)	14 min (BL1815N)
		-	16 min (BL1820)
		20 min (BL1430)	26 min (BL1830)
	26 min (BL1440)	36 min (BL1840)	
	-	42 min (BL1850)	
Kokonaispituus		403 mm	
Nettopaino		2,1 kg (BL1415 / BL1415N)	2,2 kg (BL1815 / BL1815N / BL1820)
		2,3 kg (BL1430 / BL1440)	2,4 kg (BL1830 / BL1840 / BL1850)
Nimellisjännite		DC 14,4 V	DC 18 V

- Jatkuvan tutkimus- ja kehitysohjelman vuoksi pidätämme oikeuden muuttaa tässä mainittuja teknisiä ominaisuuksia ilman ennakoilmoitusta.
- Tekniset ominaisuudet ja akku saattavat vaihdella maakohtaisesti.
- Paino akku mukaan lukien EPTA-Procedure 01/2003 mukaan

Käyttötarkoitus

Laitte on tarkoitettu kuivan pölyn imuroimiseen.

ENG905-1

Melutaso

Tyyppillinen A-painotettu melutaso määräytyy EN60745-standardin mukaan:

Malli DVC340

Äänenpainetaso (L_{pA}): 81 dB (A)

Äänitehotaso (L_{WA}): 92 dB (A)

Virhemarginaali (K): 3 dB (A)

Malli DVC350

Äänenpainetaso (L_{pA}): 84 dB (A)

Äänitehotaso (L_{WA}): 95 dB (A)

Virhemarginaali (K): 3 dB (A)

Käytä kuulosuojaimia

ENG900-1

Tärinä

Värähtelyn kokonaisarvo (kolmiakselivektorin summa) on määritelty EN60745mukaan:

Työtila: käyttö ilman kuormitusta

Tärinäpäästö (a_w): 2,5 m/s² tai vähemmän

Virhemarginaali (K) : 1,5 m/s²

ENG901-1

- Ilmoitettu tärinäpäästöarvo on mitattu standarditestausten mukaisesti, ja sen avulla voidaan vertailla työkaluja keskenään.
- Ilmoitettua tärinäpäästöarvoa voidaan käyttää myös altistumisen alustavaan arviointiin.

⚠VAROITUS:

- Työkalun käytön aikana mitattu todellinen tärinäpäästöarvo voi poiketa ilmoitetusta tärinäpäästöarvosta työkalun käyttötavan mukaan.
- Selvitä käyttäjän suojaamiseksi tarvittavat varoitukset todellisissa käyttöolosuhteissa tapahtuvan arvioitun altistumisen mukaisesti (ottaen huomioon käyttöjako kokonaisuudessaan, myös jaksot, joiden aikana työkalu on sammutettuna tai käy tyhjäkäynnillä).

GEA010-1

Sähkötyökalujen käyttöä koskevat varoitukset

⚠ **VAROITUS** Lue kaikki turvallisuusvaroitukset ja käyttöohjeet. Varoitusten ja ohjeiden noudattamatta jättäminen voi johtaa sähköiskuun, tulipaloon ja/tai vakavaan vammautumiseen.

Säilytä varoitukset ja ohjeet tulevaa käyttöä varten.

AKKUKÄYTTÖISEN PÖLYNIMURIN TURVALLISUUSOHJEET

⚠ **VAROITUS! TÄRKEÄÄ: LUE HUOLELLISESTI kaikki turvallisuusvaroitukset ja käyttöohjeet, ENNEN KUIN KÄYTÄT LAITETTA.** Jos varoitusten ja ohjeiden noudattaminen laiminlyödyään, seurauksena voi olla sähköisku, tulipalo ja/tai vakava vammautuminen.

1. Tämän pölynimurin käyttäjille on annettava riittävä käyttökoulutus.
 2. Tämä pölynimuri ei sovellu vaarallisen pölyn keräämiseen.
 3. Tämä pölynimuri on tarkoitettu käytettäväksi vain kuivassa.
 4. Tämä pölynimuri on tarkoitettu käytettäväksi vain sisätiloissa.
 5. Tämä pölynimuri pitää säilyttää sisätiloissa.
 6. Älä kerää seuraavia aineita:
 - Kuumia aineita, esimerkiksi palavia savukkeita tai metallin hiomisesta tai työstämisestä syntyneitä kipinöitä tai metallipölyä
 - Tulenarkoja aineita, esimerkiksi moottori- tai puhdistusbensiiniä, tinneriä, petrolia tai maalia
 - Räjähäviä aineita, esimerkiksi nitroglyseriiniä
 - Herkästi syttyviä aineita, kuten alumiinia, sinkkiä, magnesiumia, titaania, fosforia tai selluloidia
 - Märkää hiekkaa tai savea, vettä, öljyä tai vastaavia aineita
 - Kovia terävässärmäisiä esineitä, esimerkiksi puunsäleitä, metallinkappaleita, lasia, nauloja, neuloja ja partakoneenteriä
 - Paakkuuntuvia jauheita, esimerkiksi sementtiä tai väriaineita
 - Sähköä johtavaa pölyä, esimerkiksi metalli- tai hiilipölyä
 - Hienojakoisia aineita, esimerkiksi betonipölyä
- Se saattaa aiheuttaa tulipalon sekä henkilö- ja/tai omaisuusvahinkoja.
7. Lopeta työskentely välittömästi, jos havaitset jotain tavallisesta poikkeavaa.
 8. Älä käytä imuria uunien tai muiden lämmönlähteiden läheisyydessä.
 9. Älä tuki ilmanottoaukkoa tai tuuletusaukkoja.
 10. Älä säilytä akkua kiinni pölynimurissa. Irrota akku laitteesta, kun laitetta ei käytetä ja kun sitä huolletaan.
 11. Älä anna lasten käyttää laitetta leluina. Noudata suurta varovaisuutta, jos annat lasten käyttää laitetta tai käytät laitetta lasten läsnäollessa.

12. Käytä laitetta vain tässä ohjekirjassa kerrotulla tavalla. Käytä vain valmistajan suosittelemia lisävarusteita.
13. Älä laita vieraita esineitä laitteen aukkoihin. Älä käytä laitetta, jos jokin aukko on tukossa. Pidä ne puhtaana pölystä, nukasta, hiuksista tai muusta, joka voi haitata ilman virtausta.
14. Noudata suurta varovaisuutta, kun siivoat portaita.
15. Kun pölynimuria käytetään puhaltimena:
 - Käytä aina suojalaseja, -päähinettä ja -naamaria käytön aikana.
 - Varmista ennen tukoksen poistamista, että pölynimurista on katkaistu virta ja että akku on irrotettu.
 - Jos työskentelet kaltevilla pinnoilla, varmista tukeva jalansija.
 - Älä koskaan juokse laitetta käyttäessäsi.
 - Älä suuntaa suutinta muita ihmisiä kohti.
 - Varmista pölynimurin käyttöturvallinen kunto tarkistamalla, että kaikki mutterit, pultit ja ruuvit ovat tiukasti kiinni.
 - Säilytä pölynimuria kuivassa paikassa.
 - Laitteen käyttäjä on vastuussa sivullisille aiheutuneista tapaturmista tai aineellisista vahingoista.
5. Älä oikosulje akkua.
 - (1) Älä koske akun napoihin millään sähköä johtavalla materiaalilla.
 - (2) Vältä akun oikosulkemista äläkä säilytä akkua yhdessä muiden metalliesineiden, kuten naulojen, kolikoiden ja niin edelleen kanssa.
 - (3) Älä altista akkua vedelle tai sateelle. Akun oikosulku voi aiheuttaa voimakkaan sähkövirran, palovammoja ja jopa laitteen rikkoutumisen.
6. Älä säilytä työkalua ja akkua paikassa, jossa lämpötila voi nousta 50 ° C:een tai sitäkin korkeammaksi.
7. Älä hävitä akkua polttamalla, vaikka se olisi pahoin vaurioitunut tai täysin loppuun kulunut. Avotuli voi saada akun räjähtämään.
8. Varo kolhimasta tai pudottamasta akkua.
9. Älä käytä viallista akkua.
10. Hävitä akku paikallisten määräysten mukaisesti.

SÄILYTÄ NÄMÄ OHJEET.

Vihjeitä akun käyttöön pidentämiseksi

1. Lataa akku ennen kuin se ehtii purkautua kokonaan. Lopeta työkalun käyttö ja lataa akku aina, kun huomaat tehon heikkenevän.
2. Älä koskaan lataa täyttä akkua. Yli lataus lyhentää akun käyttöikä.
3. Lataa akku huoneenlämmössä 10 ° C-40 ° C. Anna kuumen akun jäähtyä ennen latausta.
4. Lataa akku kuuden kuukauden välein, jos sitä ei käytetä pitkään aikaan.

SÄILYTÄ TULEVA TARVETTA VARTEN

⚠VAROITUS:

ÄLÄ anna työkalun helppokäyttöisyyden tai toistuvan käytön tuudittaa sinua väärään turvallisuuden tunteeseen niin, että laiminlyöt työkalun turvaohjeiden noudattamisen. VÄÄRINKÄYTTÖ tai tämän käyttöohjeen turvamääräysten laiminlyönti voi johtaa vakaviin henkilövahinkoihin.

Tämä pölynimuri on tarkoitettu sekä kotitalouskäyttöön että kaupalliseen käyttöön esimerkiksi hotelleissa, sairaaloissa, kouluissa, tehtaissa, myymälöissä tai vuokraamoissa.

ENC007-8

TÄRKEITÄ TURVAOHJEITA

AKKU

1. Ennen akun käyttöönottoa tutustu kaikkiin laturissa (1), akussa (2) ja akkukäyttöisessä tuotteessa (3) oleviin varoitusteksteihin.
2. Älä pura akkua.
3. Jos akun toiminta-aika lyhenee merkittävästi, lopeta akun käyttö. Seurauksena voi olla ylikuumentuminen, palovammoja tai jopa räjähdys.
4. Jos akkunestettä pääsee silmiin, huuhtelee puhtaalla vedellä ja hakeudu välittömästi lääkärin hoitoon. Akkuneste voi aiheuttaa sokeutumisen.

TOIMINTOJEN KUVAUS

⚠️HUOMIO:

- Varmista aina ennen säätöjä ja tarkastuksia, että pölynimuri on sammutettu ja akku irrotettu.

Akun asentaminen tai irrottaminen

Kuva1

⚠️HUOMIO:

- Katkaise pölynimurista virta aina ennen akun kiinnittämistä tai irrottamista.
- **Pidä pölynimurista ja akusta tiukasti kiinni, kun irrotat tai kiinnität akkua.** Jos akku tai pölynimuri putoaa käsistäsi, ne voivat vaurioitua tai aiheuttaa loukkaantumisen.

Irrota akku painamalla akun etupuolella olevaa painiketta ja vetämällä akku ulos pölynimurista.

Kiinnitä akku sovittamalla akun kieleke rungon uraan ja työntämällä akku sitten paikoilleen. Työnnä akku pohjaan asti niin, että kuulet sen napsahtavan paikoilleen. Jos painikkeen yläpuolella näkyy punainen ilmaisin, akku ei ole lukkiutunut täysin paikoilleen.

⚠️HUOMIO:

- Työnnä akku aina pohjaan asti, niin että punainen ilmaisin ei enää näy. Jos akku ei ole kunnolla paikallaan, se voi pudota pölynimurista ja aiheuttaa vammoja joko itsellesi tai sivullisille.
- Älä käytä voimaa akun asennuksessa. Jos akku ei mene paikalleen helposti, se on väärässä asennossa.

Akun suojausjärjestelmä

Pölynimurissa on suojausjärjestelmä, joka pidentää käyttöikää katkaisemalla virransyötön automaattisesti. Pölynimuri pysähtyy kesken käytön seuraavassa kerrotuissa tilanteissa. Pysähtyminen on suojausjärjestelmän aiheuttama, ei merkki pölynimurissa olevasta viasta.

- Pölynimuri ylikuormittuu.
Paina "OFF"-painiketta ja poista ylikuormituksen aiheuttajat. Käynnistä laite sitten uudestaan painamalla "HIGH/LOW"-painiketta.
- Akku kuumenee. (Katso lisätietoja alla olevasta huomautuksesta.)
Jos HIGH/LOW-painiketta tai "OFF"-painiketta painetaan, moottori ei käynnisty. Lopeta pölynimurin käyttö, irrota akku pölynimurista ja anna sen jäähtyä tai lataa se.
- Akun varaus on vähissä:
Jos HIGH/LOW-painiketta tai "OFF"-painiketta painetaan, moottori ei käynnisty. Irrota akku pölynimurista ja lataa se.

HUOMAUTUS:

- Tämä lämpösuojaus toimii vain, jos pölynimurissa käytetään tähtimerkillä merkittyä akkua.

Kuva2

Kytkimen käyttäminen

Kuva3

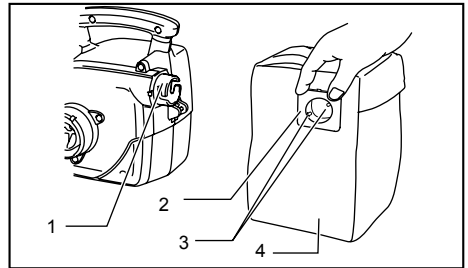
Käynnistä pölynimuri painamalla "HIGH/LOW"-painiketta. Sammuta pölynimuri painamalla "OFF"-painiketta. Voit muuttaa pölynimurin nopeutta painamalla "HIGH/LOW"-painiketta. Painikkeen ensimmäinen painallus muuttaa nopeuden suureksi, toinen pieneksi. Aina, kun painiketta painetaan, nopeus vaihtuu tässä järjestyksessä.

KOKOONPANO

⚠️HUOMIO:

- Varmista aina ennen mitään pölynimurille tehtäviä toimenpiteitä, että se on sammutettu ja akku irrotettu.
- Huolto- tai ylläpitotoimien tekeminen akku kiinnitettynä pölynimuriin voi aiheuttaa tapaturman tai vahingoittaa ympärillä olevia esineitä.

Pölypussin kiinnitys



1. Pölynpoisto
2. Pölypussin liitin
3. Tapit
4. Pölypussi

011113

Tartu pölypussin liittimen neliömäiseen osaan, kohdista pölypussin liittimen sisällä olevat tapit pölynimurin poistoilmakanavassa oleviin uriin, työnnä pölypussi paikalleen ja kierrä liittintä myötäpäivään, kunnes se lukittuu.

Kuva4

Varmista, että pölypussin suljin on ylöspäin.

HUOMAUTUS:

- Jos pölypussin liitin ja pölypussin sisällä oleva rengas irtoavat, kiinnitä ne seuraavasti.
(1) Kohdista pölypussin liitin pölypussin saumaan ja kiinnitä se paikalleen siten, että sen ulkonema on ylöspäin.

Kuva5

- (2) Kiristä pölypussin sisällä oleva rengas siten, että tapit ja rengas ovat kuvassa esitetyssä asennossa.

Kuva6

Olkahihnan kiinnittäminen

Kuva7

Kiinnitä olkahihnan toisen pään koukku pölynimurin etupuolella olevaan renkaaseen, pujota hihnan toinen pää pölypussin päällä olevan nauhan ali ja kiinnitä hihnan päässä oleva koukku kuvassa esitetyllä tavalla.

Olkahihnan säätäminen

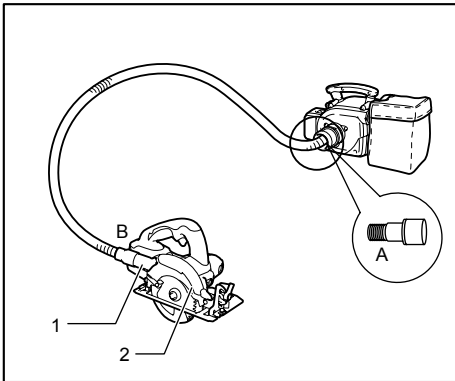
Kuva8

Jos haluat muuttaa olkahihnan pituutta, säädä se haluamasi mittaiseksi vetämällä hihnaa soljen läpi kuvassa esitetyllä tavalla.

Letkun kiinnittäminen

⚠HUOMIO:

- **Älä taivuta letkua väkisin tai litistä sitä.** Litistäminen ja/tai liiallinen taivuttaminen voi vahingoittaa letkua.
- **Älä kannattele pölynimuria letkusta.** Letkun vetäminen voi vahingoittaa sitä.



1. Pölynpoisto
2. Sähkötyökalu

011119

Työnnä letkun A-pää pölynimurin imuaukkoon ja lukitse se paikalleen myötäpäivään kiertämällä.

Kiinnitä sovitinkappale letkun B-päähän ja liitä se sitten sähkötyökalun pölynpoistoaukkoon.

Sovitinkappaleen vaihtaminen

Vaihda letkun sovitinkappale käyttämäsi sähkötyökalun pölynpoistoaukkoon sopivaksi.

Kuva9

Kun haluat irrottaa sovitinkappaleen, pidä kiinni letkusta ja kierrä sovitinkappaletta vastapäivään.

Kun haluat kiinnittää sovitinkappaleen, kierrä se paikalleen myötäpäivään, kunnes sen lukittuu.

TYÖSKENTELY

⚠VAROITUS:

- Älä käytä olkahihnaa, jos työskentelet korkeissa paikoissa.
- Jos käytät pölynimuria kiinteänä pölynimurina, aseta se tasaiselle ja vakaalle alustalle.

Pölynimuri

Kuva10

Jos käytät pölynimuria kannettavana pölynimurina, pujota olkahihna pääsi yli, ettei pölynimuri pääse putoamaan.

Kuva11

HUOMAUTUS:

- Sahattavana kipsilevyyn liimattu koristepaperi saattaa irrota pitkänä kaistaleena, joka imeytyy letkuun ja tukkii sen. Jos näin tapahtuu, muuta sahan leikkaussyvyyttä suuremmaksi, mikä estää tukoksen syntymisen.

⚠HUOMIO:

- Uudessa pölypussissa saattaa ilmetä lievää pölyvuotoa pinnan läpi. Pölyvuoto vähenee, kun pölynimuria on käytetty muutaman kerran.

Pölynimurin käyttö suutin tai pölypussi kiinnitettynä

⚠VAROITUS:

- **Varmista aina ennen suuttimen, pölypussin tai pölynimurin muun lisävarusteen irrottamista tai kiinnittämistä, että pölynimurista on katkaistu virta ja että akku on irrotettu.** Muuten seurauksena voi olla vakava henkilövahinko.

HUOMAUTUS:

- Jos käytät laitetta puhaltimena heti sen jälkeen, kun sitä on käytetty pölynimurina, puhdista laite ensin pölystä.

Käyttämien puhaltimena

Kuva12

Kiinnitä suutin tiiviisti poistoilmakanavaan.

Sovita suuttimen sisäpuolella oleva tappi pölynimurin poistoilmakanavassa olevaan uraan ja kiinnitä suutin paikalleen vastapäivään kiertämällä.

Irrota suutin kiertämällä vastapäivään ja vetämällä se irti. Suuntaa pölynimuri kohteeseen ja käynnistä se.

Pölypussin tyhjentäminen

⚠VAROITUS:

- **Varmista aina ennen pölynimurin kankaisen pölypussin kiinnittämistä tai irrottamista tyhjentämistä varten, että sekä pölynimurista että siihen liitetystä sähkötyökalusta on katkaistu virta ja irrotettu akku tai, jos kyseessä on johdollinen sähkötyökalu, sen virtajohto on irrotettu.** Jos näin ei tehdä, seurauksena voi olla sähköisku ja vakava henkilövahinko.

- Kun pölypussi on noin puoliksi täynnä, poista pölypussi pölynimurista ja vedä suljin ulos. Tyhjennä pölypussin sisältö napauttaen sitä kevyesti siten, että sen sisäpuolelle kiinnittyneet osaset poistuvat, sillä ne saattavat vaikeuttaa lisäkeräystä.

HUOMAUTUS:

- **Pölypussin vaihtoväli vastaa suunnilleen 450 reian (halkaisijaltaan 6,5 mm ja syvyydeltään 40 mm) poraamista betoniin.** Liian täysi pölypussi huonontaa pölynkeräyстehoa ja voi vahingoittaa pölynimurin moottoria.

⚠️HUOMIO:

- **Kiinnitä (kankainen) pölypussi tukevasti pölypussin liittimeen ja sulje suljin tiiviisti ennen käyttöä.** Jos pölypussia ei kiinnitetä tukevasti ja suljinta suljeta tiiviisti, pölyä saattaa vuotaa ulos, mikä voi aiheuttaa vakavan henkilövahingon.

Kuva13

Tartu tukevasti pölypussin liittimen neliomäiseen osaan, kierrä sitä vastapäivään ja irrota pölypussi.

Kuva14

Avaa suljin ja poista pöly pölypussista.

⚠️HUOMIO:

- Poista kaikki pölyhiukkaset sulkimen kohdalta.

KUNNOSSAPITO

⚠️VAROITUS:

- Varmista aina ennen tarkastuksia tai huoltoa, että pölynimuri on sammutettu ja akku irrotettu.

Suodatinalueen puhdistaminen

⚠️HUOMIO:

- Pölynimuri on tarkoitettu vain pölyn keräämiseen. Älä kerää muuta materiaalia, esimerkiksi pieniä kiviä tai puunlastuja. Pienten kivien, puunlastujen tai vastaavien esineiden kerääminen voi vaurioittaa tuuletinta ja pölynimuria.

Kuva15

Tarkista ja puhdista imuaukon suodatinalue säännöllisesti. Poista vierasesineet, jotka voivat vaikuttaa imutehoon.

Puhdistus

Pyyhi ajoittain imurin ulkopuoli (laitteen kotelo) pesuainevedellä kostutetulla liinalla.

⚠️HUOMIO:

- Älä koskaan käytä bensiniä, ohentimia, alkoholia tai tms. aineita. Muutoin pinta voi halkeilla tai sen värit ja muoto voivat muuttua.

Koneen TURVALLISUUDEN ja LUOTETTAVUUDEN säilyttämiseksi korjaukset sekä muut huoltotoimet ja säädöt on jätettävä Makitan valtuuttaman huollon tehtäväksi käyttäen aina Makitan alkuperäisiä varaosia.

LISÄVARUSTEET

⚠️HUOMIO:

- Näitä lisävarusteita tai laitteita suositellaan käytettäväksi tässä ohjeessa kuvatun Makita-pölynimurin kanssa. Muiden lisävarusteiden tai laitteiden käyttö voi aiheuttaa henkilövahinkoja. Käytä lisävarustetta tai laitetta vain ilmoitettuun käyttötarkoitukseen.

Jos tarvitset apua tai yksityiskohtaisempia tietoja seuraavista lisävarusteista, ota yhteys paikalliseen Makitan huoltoon.

- Suuttimet
- Pölypussit
- Letkut
- Sovitinkappaleet
- Olkahihnat
- Aito Makitan akku ja laturi

HUOMAUTUS:

- Jotkin luettelossa mainitut varusteet voivat sisältyä työkalun toimitukseen vakiovarusteina. Ne voivat vaihdella maittäin.

LATVIEŠU (oriģinālās instrukcijas)

BRĪDINĀJUMS: Šo ierīci drīkst izmantot bērni no 8 gadu vecuma un personas ar samazinātām fiziskām, sensoriskām vai psihiskām spējām, vai kam trūkst pieredzes un zināšanu, ja tām nodrošināta uzraudzība un sniegti norādījumi par ierīces drošu izmantošanu un ja ir izprasti saistītie apdraudējumi. Bērni nedrīkst spēlēt ar ierīci. Ierīces tīrīšanu un apkopi nedrīkst veikt bērni bez uzraudzības.

Kopskata skaidrojums

1-1. Sarkans indikators	7-1. Pleca sikсна	11-2. Zāģa asmens
1-2. Poga	7-2. Divi āķi	11-3. Pamatne
1-3. Akumulatora kasetne	8-1. Izvilkt ārā	11-4. Frēzēšanas dziļums
2-1. Zvaigznes simbols	8-2. Lai saīsinātu	11-5. Rigipss
3-1. Poga „HIGH/LOW”	8-3. Lai pagarinātu	12-1. Izplūdes caurums (gaisa atveres)
3-2. Off (Izslēgts) poga	9-1. Priekšējā uzmava	12-2. Sprausla
4-1. Āķis	9-2. Šjūtene	12-3. Vadtapa
5-1. Izcilnis	9-3. Noņemt	13-1. Putekļu maisa salaidums
6-1. Tapas	9-4. Uzlikt	13-2. Kvadrāta posms
6-2. Gredzens	11-1. Dekoratīvs papīrs	15-1. Filtra zona

SPECIFIKĀCIJAS

Modelis		DVC340	DVC350
Jauda	Tilpums	3,0 l	
	Maks. gaisa daudzums	3,3 m ³ /min	3,4 m ³ /min
Nepārtraukta lietošana (Apm.)	Liels ātrums	4 min (ar BL1415)	6 min (ar BL1815)
		5 min (ar BL1415N)	7 min (ar BL1815N)
		-	8 min (ar BL1820)
		10 min (ar BL1430)	13 min (ar BL1830)
		13 min (ar BL1440)	18 min (ar BL1840)
		-	21 min (ar BL1850)
	Mazs ātrums	8 min (ar BL1415)	12 min (ar BL1815)
		10 min (ar BL1415N)	14 min (ar BL1815N)
		-	16 min (ar BL1820)
		20 min (ar BL1430)	26 min (ar BL1830)
		26 min (ar BL1440)	36 min (ar BL1840)
		-	42 min (ar BL1850)
Kopējais garums		403 mm	
Neto svars		2,1 kg (BL1415 / BL1415N)	2,2 kg (BL1815 / BL1815N / BL1820)
		2,3 kg (BL1430 / BL1440)	2,4 kg (BL1830 / BL1840 / BL1850)
Nominālais spriegums		Līdzstrāva 14,4 V	Līdzstrāva 18 V

- Dēļ mūsu nepārtrauktās pētniecības un izstrādes programmas, šeit dotās specifikācijas var mainīties bez brīdinājuma.
- Specifikācijas un akumulatora kasetne dažādās valstīs var atšķirties.
- Svārs ar akumulatora kasetni atbilstošs EPTA procedūrai 01/2003

Paredzētā lietošana

Šis darbarīks ir paredzēts sausu putekļu savākšanai.

ENG905-1

Troksnis

Tipiskais A-svērtais trokšņa līmenis ir noteikts saskaņā ar EN60745:

Modelis DVC340

Skaņas spiediena līmenis (L_{pA}): 81 dB (A)

Skaņas jaudas līmenis (L_{WA}): 92 dB (A)

Neskaidrība (K) : 3 dB (A)

Modelis DVC350

Skaņas spiediena līmenis (L_{pA}): 84 dB (A)

Skaņas jaudas līmenis (L_{WA}): 95 dB (A)

Neskaidrība (K) : 3 dB (A)

Lietojiet ausu aizsargus

ENG900-1

Vibrācija

Vibrācijas kopējā vērtība (trīs asu vektora summa) noteikta saskaņā ar EN60745:

Darba režīms: darbība bez noslodzes

Vibrācijas emisija (a_h) : 2,5 m/s² vai mazāk

Neskaidrība (K): 1,5 m/s²

ENG901-1

- Paziņotā vibrācijas emisijas vērtība noteikta atbilstoši standarta pārbaudes metodei un to var izmantot, lai salīdzinātu vienu darbarīku ar citu.
- Paziņoto vibrācijas emisijas vērtību arī var izmantot iedarbības sākotnējā novērtējumā.

⚠ BRĪDINĀJUMS:

- Reāli lietojot mehānizēto darbarīku, vibrācijas emisija var atšķirties no paziņotās emisijas vērtības atkarībā no darbarīka izmantošanas veida.
- Lai aizsargātu lietotāju, nosakiet drošības pasākumus, kas pamatoti ar iedarbību reālos darba apstākļos (ņemot vērā visus ekspluatācijas cikla posmus, piemēram, laiku, kamēr darbarīks ir izslēgts un kad darbojas tukšgaitā, kā arī palaides laiku).

GEA010-1

Vispārējie mehānizēto darbarīku drošības brīdinājumi

⚠ BRĪDINĀJUMS Izlasiet visus drošības brīdinājumus un visus norādījumus. Brīdinājumu un norādījumu neievērošanas gadījumā var rasties elektriskās strāvas trieciens, ugunsgrēks un/vai nopietnas traumas.

Glābāriet visus brīdinājumus un norādījumus, lai varētu tajos ieskatīties turpmāk.

**DROŠĪBAS BRĪDINĀJUMI
BEZVADU PUTEKĻU SŪCĒJA
LIETOŠANAI**

⚠ BRĪDINĀJUMS! SVARĪGI! IZLASIET UZMANĪGI!
PIRMS LIETOŠANAS izlasiet visus drošības brīdinājumus un visus norādījumus. Brīdinājumu un norādījumu neievērošanas gadījumā var rasties elektriskās strāvas trieciens, ugunsgrēks un/vai nopietnas traumas.

1. **Lietotājam jābūt atbilstoši informētam par šīs ierīces lietošanu.**
 2. **Ierīce nav piemērota kaitīgu putekļu sūkšanai.**
 3. **Ierīce ir paredzēta izmantošanai tikai sausos apstākļos.**
 4. **Ierīce ir paredzēta izmantošanai tikai iekštelpās.**
 5. **Ierīce ir paredzēta glabāšanai tikai iekštelpās.**
 6. **Nesūciet šādus materiālus:**
 - karstus priekšmetus, piemēram, aizdegts cigaretes vai dzirksteles/ metāla putekļus, kas radušies metāla slīpēšanas/zāģēšanas laikā;
 - viegli uzliesmojošas vielas, piemēram, gāzoliņu, šķīdinātāju, benzīnu, petroleju vai krāsu;
 - eksplozīvas vielas, piemēram, nitroglicerīnu;
 - uzliesmojošus materiālus, piemēram, alumīniju, cinku, magniju, titānu, fosforu vai celuloīdu;
 - mitrus netīrumus, ūdeni, eļļu vai līdzīgas vielas;
 - cietus priekšmetus ar asām malām, piemēram, koka skaidas, metāla gabalus, akmeņus, stiklu, naglas, spraudītes vai žilettes;
 - pulveri, kas sacietē, piemēram, cementu vai toneri;
 - vadītspējīgus putekļus, piemēram, metāla vai oglekļa putekļus;
 - sīkas daļiņas, piemēram, betona putekļus.
- Šāda rīcība var izraisīt ugunsgrēku, ievainojumus un/vai īpašuma bojājumus.
7. **Nekavējoties pārtrauciet darbu, ja ievērojāt novirzes.**
 8. **Nelietojiet to krāsns vai citu karstuma avotu tuvumā.**
 9. **Nebloķējiet ieplūdes atveri un ventilācijas atveres.**
 10. **Neatstājiet ierīci ar ievietotu akumulatoru. Izņemiet akumulatoru no ierīces, kad to neizmantojat un pirms apkopes.**
 11. **Neizmantojiet kā rotālietu. Īpaši jāuzmanās, kad to izmanto bērni vai bērnu tuvumā.**
 12. **Izmantojiet tikai tā, kā norādīts šajā rokasgrāmatā. Izmantojiet tikai ražotāja ieteiktās papildierīces.**

13. Neievietojiet priekšmetus atverēs. Nelietojiet, ja nosprostota kāda atvere – tām jābūt atfīrītām no putekļiem, pūkām, matiem u. c., kas var samazināt gaisa plūsmu.
14. Esiet īpaši uzmanīgi, kad fīriet uz kāpnēm.
15. Izmantojot ierīci kā pūtēju
 - vienmēr lietojiet aizsargbrilles, cepuri un masku;
 - pirms nosprostojuma tīrīšanas vienmēr pārbaudiet, vai darbarīks ir izslēgts un akumulatora kasetne ir izņemta;
 - strādājot nogāzē, nodrošiniet stabilu kāju atbalstu;
 - pārvietojieties staigājot, nevis skrienot;
 - nekad nevērsiet sprauslu pret kādu tuvumā;
 - Vienmēr cieši pieskrūvējiet visus uzgriežņus, buļskrūves un skrūves, lai nodrošinātu ierīces drošu darba stāvokli;
 - ierīci glabājiet tikai sausā vietā;
 - Operators vai lietotājs ir atbildīgs par negadījumiem vai apdraudējumu, kas radīts citiem cilvēkiem vai to īpašumam.
- (2) Neuzglabājiet akumulatoru kasetni kopā ar citiem metāla priekšmetiem, tādiem kā naglas, monētas u.c.
- (3) Nepakļaujiet akumulatora kasetni ūdens vai lietus iedarbībai. Īssavienojums var radīt lielu strāvas plūsmu, pārkaršanu, var radīt apdegumus vai pat bojājumus.
6. Neuzglabājiet darbarīku un akumulatora kasetni vietās, kur temperatūra var sasniegt vai pārsniegt 50 ° C (122 ° F).
7. Nededziniet akumulatora kasetni, pat ja tā ir stipri bojāta vai pilnībā nolietota. Akumulatora kasetne ugunī var eksplodēt.
8. Uzmanieties, lai neļautu akumulatoram nokrist un nepakļautu to sitenam.
9. Neizmantojiet bojātu akumulatoru.
10. Ievērojiet vietējos noteikumus par akumulatora likvidēšanu.

SAGLABĀJIET ŠOS NORĀDĪJUMUS.

Ieteikumi akumulatora kalpošanas laika pagarināšanai

1. Uzlādējiet akumulatora kasetni pirms tā pilnīgi izlādējas. Vienmēr, kad ievērojat, ka darbarīka darba jauda zudusi, apturiet darbarīku un uzlādējiet akumulatora kasetni.
2. Nekad neuzlādējiet pilnībā uzlādētu akumulatora kasetni. Pārmērīga uzlāde saīsina akumulatora kalpošanas laiku.
3. Uzlādējiet akumulatora kasetni istabas temperatūrā 10 ° C - 40 ° C (50 ° F - 104 ° F). Karstai akumulatora kasetnei pirms uzlādes ļaujiet atdzist.
4. Uzlādējiet akumulatora kasetni reizi sešos mēnešos, ja to neizmantojat ilgu laiku.

SAGLABĀJIET TURPMĀKĀM UZZIŅĀM

⚠BRĪDINĀJUMS:

NEZAUDĒJIET modrību darbarīka lietošanas laikā (tas var gadīties pēc darbarīka daudzkārtējas izmantošanas), rūpīgi ievērojiet urbšanas drošības noteikumus šim izstrādājumam. **NEPAREIZAS LIETOŠANAS** vai šīs rokasgrāmatas drošības noteikumu neievērošanas gadījumā var gūt smagas traumas.

Ierīce ir paredzēta gan izmantošanai mājāsaimniecībā, gan komerciāli, piemēram, viesnīcās, skolās, slimnīcās, rūpnīcās, veikalos, birojos un nomas uzņēmumos.

ENC007-8

SVARĪGI DROŠĪBAS NOTEIKUMI

AKUMULATORA LIETOŠANAI

1. Pirms akumulatora lietošanas izlasiet visus norādījumus un brīdinājumus, kuri attiecas uz (1) akumulatora lādētāju, (2) akumulatoru un (3) ierīci, kurā tiek izmantots akumulators.
2. Neizjauciet akumulatoru.
3. Ja akumulatora darbības laiks kļūva ievērojami īsāks, nekavējoties pārtrauciet to izmantot. Citādi, tas var izraisīt pārkaršējumu, uzliesmojumu vai pat sprādzienu.
4. Ja elektrolīts nonāk acīs, izskalojiet tās ar tīru ūdens un nekavējoties griezieties pie ārsta. Tas var izraisīt redzes zaudēšanu.
5. Neradiet īssavienojumu akumulatora kasetnē:
 - (1) Neskarīties pie termināliem ar jebkāda veida vadītspējīgiem materiāliem.

FUNKCIJU APRAKSTS

⚠️UZMANĪBU:

- Pirms ierīces regulēšanas vai tās darbības pārbaudes vienmēr pārliecinieties, vai ierīce ir izslēgta un akumulatora kasetne ir izņemta.

Akumulatora kasetnes uzstādīšana un izņemšana

Att.1

⚠️UZMANĪBU:

- Vienmēr pirms akumulatora kasetnes uzstādīšanas vai noņemšanas izslēdziet ierīci.
- **Uzstādot vai izņemot akumulatora kasetni, ierīci un akumulatora kasetni turiet cieši.** Ja ierīci un akumulatora kasetni netur cieši, tie var izkrist no rokām un radīt bojājumus ierīcei un akumulatora kasetnei, kā arī izraisīt ievainojumus.

Lai izņemtu akumulatora kasetni, izvelciet to no ierīces, pārīdodot kasetnes priekšpusē esošo pogu.

Lai uzstādītu akumulatora kasetni, salāgojiet mēlīti uz akumulatora kasetnes ar rienu ietvarā un iebīdīet to vietā. Bīdīet to iekšā līdz klikšķim, kas nozīmē, ka tā ir pareizi uzstādīta. Ja pogas augšējā daļā ir redzams sarkans indikators, tas nozīmē, ka tā nav pilnīgi bloķēta.

⚠️UZMANĪBU:

- Vienmēr ievietojiet akumulatora kasetni tā, lai sarkans indikators nebūtu redzams. Pretējā gadījumā tā var nejauši izkrist no ierīces un radīt jums vai apkārtējiem ievainojumu.
- Neievietojiet akumulatora kasetni ar spēku. Ja kasetne neslīd ietvarā viegli, tā nav pareizi ielikta.

Akumulatora aizsardzības sistēma

Ierīcei ir aizsardzības sistēma, kas automātiski izslēdz izejas jaudu, lai nodrošinātu ilgu ekspluatācijas laiku. Ierīce pārstāj darboties ekspluatācijas laikā, ja ierīci un/vai akumulatoru pakļauj turpmākajiem apstākļiem. To paredz aizsardzības sistēmas aktivizēšana, un tas neliecina par ierīces problēmu.

- Ja ierīce ir pārslogota:
Šādā gadījumā nospiediet pogu „OFF” un novērsiet pārslogojuma cēloņus, pēc tam vēlreiz nospiediet pogu „HIGH/LOW”, lai atsāktu darbu.
- Ja sakarst akumulatora šūnas (skatiet piezīmi turpmāk):
Ja nospiedīsiet pogu „HIGH/LOW” vai pogu „OFF”, motors paliks nekustīgs. Šajā gadījumā pārtrauciet ierīces izmantošanu un pēc akumulatora kasetnes izņemšanas no ierīces to atdzesējiet vai veiciet tai uzlādi.
- Ja akumulatora atlikusī jauda ir zema:
Ja nospiedīsiet pogu „HIGH/LOW” vai pogu „OFF”, motors paliks nekustīgs. Šajā gadījumā izņemiet akumulatora kasetni no darbarīka un veiciet tai uzlādi.

PIEZĪME:

- Termiski jutīgā aizsardzības sistēma tiek izmantota tikai tad, ja ierīci lieto kopā ar akumulatora kasetni, kurai ir zvaigznes marķējums.

Att.2

Slēdža darbība

Att.3

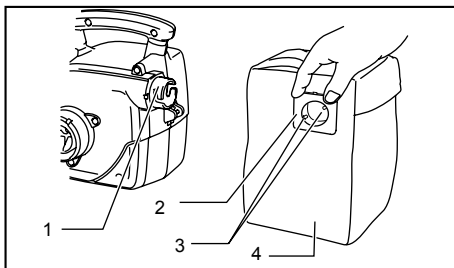
Lai iedarbinātu ierīci, vienkārši nospiediet pogu „HIGH/LOW”. Lai izslēgtu, nospiediet pogu „OFF”. Lai mainītu ierīces ātrumu, nospiediet pogu „HIGH/LOW”. Pirmo reizi nospiežot šo pogu, ātrums palielinās, otro reizi nospiežot samazinās, pēc tam, katru reizi nospiežot šo pogu, pārmaiņus atkārtojas liela/maza ātruma cikls.

MONTĀŽA

⚠️UZMANĪBU:

- Pirms ierīces regulēšanas vai apkopes vienmēr pārliecinieties, vai ierīce ir izslēgta un akumulatora kasetne ir izņemta.
- Ja tiek veikts jebkāds darbs, kad kasetne atrodas ierīcē, tas var izraisīt personas ievainojumus vai bojājumus priekšmetiem, kas atrodas ap ierīci.

Putekļu maisa uzstādīšana



1. Putekļu izvade
2. Putekļu maisa salaidums
3. Tapas
4. Putekļu mais

011113

Turiet putekļu maisa salaiduma kvadrāta posmu un savietojiet tapas putekļu maisa salaiduma iekšpusē ar ierīcēm ierīces putekļu izplūdes caurumā, pēc tam to ievietojiet un pagrieziet pulksteņrādītāja virzienā, līdz tas atdurās.

Att.4

Šajā posmā pārbaudiet, vai putekļu maisa stiprinājuma posms atrodas augšpusē.

PIEZĪME:

- Ja putekļu maisa salaidums un gredzens putekļu maisa iekšpusē nokrīt, to uzstādiēt šādi.
(1) Savietojiet putekļu maisa salaidumu ar putekļu maisa šuvi un novietojiet to tā, lai izvirsījums atrodas augšpusē.

Att.5

- (2) Cieši pieskrūvējiet gredzenu putekļu maisa iekšpusē, lai tapas un gredzens būtu novietots, kā parādīts attēlā.

Att.6

Pleca siksnas pievienošana

Att.7

Vienu āķi, kas atrodas pleca siksnas galā, piestipriniet pie gredziena ierīces priekšpusē, pēc tam siksnas otru galu izvelciet cauri putekļu maisa lentei un piestipriniet āķi, kas atrodas otrā galā, kā parādīts attēlā.

Pleca siksnas noregulēšana

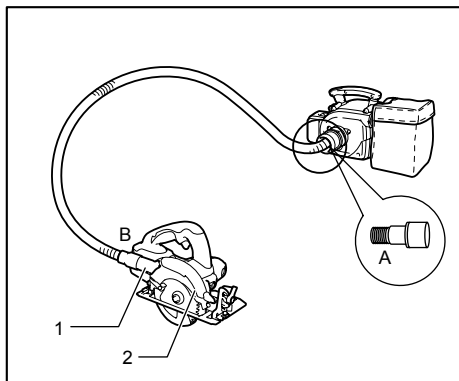
Att.8

Lai noregulētu pleca siksnas garumu, izvelciet to vēlamajā garumā un pavelciet siksnu bultiņas virzienā, kā norādīts attēlā.

Šļūtenes pievienošana

⚠UZMANĪBU:

- Nelokiet šļūteni ar spēku un/vai nekāpiet uz tās. Liekšana ar spēku un/vai uzkāpšana var izraisīt šļūtenes deformāciju vai bojājumu.
- Pārnēsājot ierīci, neraujiet aiz šļūtenes. Raujot šļūteni, iespējams izraisīt šļūtenes deformāciju vai bojājumus.



1. Putekļu izvade
2. Mehānizētais darbarīks

011119

Ievietojiet šļūtenes „A” galu ierīces iesūkšanas atverē un pagrieziet līdz galam, kamēr tas nifiksējas.

Piestipriniet uznavu, kas atrodas šļūtenes „B” galā, un pēc tam pievienojiet to mehānizētā darbarīka putekļu izplūdes caurumam.

Priekšējās uznavas nomaiņa

Nomainiet šļūtenes priekšējo uznavu atbilstoši izmantotā mehānizētā darbarīka putekļu izplūdes cauruma izmēram.

Att.9

Lai noņemtu priekšējo uznavu, turot šļūteni, pagrieziet to pretēji pulksteņrādītāja virzienam.

Lai piestiprinātu priekšējo uznavu, grieziet to pulksteņrādītāja virzienā, līdz tā apstājas.

EKSPLOATĀCIJA

⚠BRĪDINĀJUMS:

- Strādājot augstā vietā, neizmantojiet pleca siksnu.
- Izmantojot ierīci kā stacionāru putekļu sūcēju, novietojiet to uz līdzenas un stabilas virsmas.

Putekļu sūcējs

Att.10

Ja ierīci izmanto kā pārvietojamu putekļu sūcēju, pleca siksnu jānovieto pāri krūtīm, lai nevarētu ierīci nomest.

Att.11

PIEZĪME:

- Šļūtenes iesūkšanu var nobloķēt nogrieztais dekoratīvais papīrs, kas rodas rigipsa zāģēšanas laikā atkarībā no apstrādājamā materiāla stāvokļa un kas var iesprūst šļūtenes iekšpusē. Ja tas notiek, nomainiet mehānizētā darbarīka zāģēšanas dziļumu uz lielāku dziļuma iestatījumu, kas nepieļaus sūkšanas nobloķēšanos.

⚠UZMANĪBU:

- Ja putekļu maisis ir pavisam jauns, no tā virsmas var izdalīties putekļi. Putekļu izdalīšanās mazinās pēc dažām lietošanas reizēm.

Putekļu sūcēja lietošana ar uzstādītu sprauslu vai putekļu maisu

⚠BRĪDINĀJUMS:

- Pirms ierīces sprauslas vai citas papildierīces uzstādīšanas vai noņemšanas vienmēr pārlicinieties, vai ierīce ir izslēgta un akumulatora kasetne ir izņemta. Ja darbarīku neizslēdz un akumulatora kasetni neizņem, var izraisīt nopietnus ievainojumus.

PIEZĪME:

- Pirms pūtēja režīma izmantošanas uzreiz pēc tīrīšanas režīma izmantošanas, no ierīces iztīriet visus palikušos putekļus, ko varētu izpūst no ierīces.

Izmantojot kā pūtēju

Att.12

Uzmanīgi uzstādi sprauslu uz izplūdes cauruma (gaisa atveres).

Lai uzstādītu sprauslu, savietojiet tapu sprauslas iekšpusē ar vienu no ierīces ierīcē, pēc tam cieši pagrieziet sprauslu pulksteņrādītāja virzienā.

Lai noņemtu sprauslu, pagrieziet to pretēji pulksteņrādītāja virzienam un izvelciet ārā.

Pavērsiet ierīces augstāko punktu vajadzīgajā virzienā un ieslēdziet ierīci.

Putekļu maisa iztukšošana

⚠BRĪDINĀJUMS:

- Pirms putekļu maisa uzstādīšanas un noņemšanas, un putekļu maisa (izgatavots no auduma) tīrīšanas pārbaudiet, vai putekļu sūcējs un pievienotais mehānizētais darbarīks ir izslēgts un akumulatora kasetne ir izņemta, kā arī, vai darbarīks, ja tas ir ar vadu, ir atvienots no strāvas. Ja darbarīku neizslēdz, akumulatora kasetni neizņem un strāvas vadu neatvieno no strāvas padeves, var izraisīt elektriskās strāvas triecienu un nopietnus ievainojumus.
- Kad putekļu maiss ir aptuveni līdz pusei piepildīts, noņemiet to nost no ierīces un izvelciet stiprinājumu. Iztukšojiet maisa saturu, viegli pa to pasītot, lai atdalītu iekšpusē pielipušās daļiņas, kas turpmāk varētu traucēt putekļu savākšanai.

PIEZĪME:

- Lai noteiktu laiku, kad iztukšot putekļu maisu, ņemiet vērā, ka putekļu maiss ir pilns, kad betonā ir izurbti apmēram 450 caurumi 6,5 mm diametrā un 40 mm dziļumā. Ja putekļu maisā ir sakrājušās daļiņas, tas var samazināt putekļu savākšanas jaudu un bojāt ierīces motoru.

⚠UZMANĪBU:

- Pirms lietošanas cieši piestipriniet putekļu maisu (izgatavots no auduma) pie putekļu maisa salaiduma un aiztaisiet stiprinājumu. Ja putekļu maisu cieši nepiestiprina un pilnībā neaiztaisa stiprinājumu, tas var izraisīt putekļu izpūšanu un radīt nopietnus ievainojumus.

Att.13

Satveriet putekļu maisa salaiduma kvadrāta posmu, pagrieziet to pretēji pulkstenrādītāja virzienam un noņemiet putekļu maisu.

Att.14

Atveriet stiprinājumu un iztīriet putekļus.

⚠UZMANĪBU:

- Noņemiet visas daļiņas, kas pieķērušās stiprinājuma zonai.

APKOPE

⚠BRĪDINĀJUMS:

- Pirms ierīces pārbaudes vai apkopes vienmēr pārliecinieties, ka darbarīks ir izslēgts un akumulatora kasetne ir noņemta.

Filtra zonas tīrīšana

⚠UZMANĪBU:

- Nesūciet citus materiālus, kas nav putekļi, piemēram, akmeni, koka skaidas un līdzīgus, jo šis putekļu sūcējs ir paredzēts tikai putekļu savākšanai. Akmens, koka skaidu un līdzīgu materiālu sūkšana var izraisīt bojājumus ventilatoram un ierīcei.

Att.15

Regulāri pārbaudiet un iztīriet filtra zonu iesūkšana atverē. Izņemiet svešķermeņus, kas traucē sūkšanai.

Tīrīšana

Ik pa laikam notīriet tīrītāja ārpusi (korpusu), izmantojot ziepjūdeni samitrinātu drāniņu.

⚠UZMANĪBU:

- Nekad neizmantojiet gāzoliņu, benzīnu, atšķaidītāju, spirtu vai līdzīgus šķīdumus. Tas var radīt izbalēšanu, deformāciju vai plaisas.

Lai saglabātu produkta DROŠU un UZTICAMU darbību, remontdarbus, apkopi un regulēšanu uzticiet veikt tikai Makita pilnvarotam apkopes centram un vienmēr izmantojiet tikai Makita rezerves daļas.

PAPILDU PIEDERUMI

⚠UZMANĪBU:

- Šos piederumus vai papildierīces ieteicams izmantot kopā ar šajā rokasgrāmatā aprakstīto Makita putekļu sūcēju. Izmantojot citus piederumus vai papildierīces, var gūt ievainojumus. Piederumu vai papildierīci izmantojiet tikai tai paredzētajam nolūkam.

Ja jums vajadzīga palīdzība vai precīzāka informācija par šiem piederumiem, vērsieties savā tuvākajā Makita apkopes centrā.

- Sprauslas
- Putekļu maisi
- Šļūtenes
- Priekšējās uznavas
- Pleca siksnas
- Makita oriģinālais akumulators un lādētājs

PIEZĪME:

- Daži sarakstā norādītie izstrādājumi var būt iekļauti instrumenta komplektācijā kā standarta piederumi. Tie dažādās valstīs var būt atšķirīgi.

LIETUVIŲ KALBA (Originali naudojimo instrukcija)

[SPĖJIMAS: Šį prietaisą leidžiama naudoti vaikams nuo 8 metų amžiaus ir asmenims, turintiems psichinių, jutiminių ar protinių negalių, arba žmonėms, neturintiems patirties bei žinių, su sąlyga, kad jie bus prižiūrimi arba instruktuojami apie tai, kaip saugiai naudoti šį prietaisą, ir supras atitinkamus pavojus. Neleiskite vaikams žaisti su šiuo prietaisu. Be suaugusiųjų priežiūros vaikams draudžiama valyti ir techniškai prižiūrėti šį prietaisą.

Bendrasis aprašymas

1-1. Raudonas indikatorius	7-1. Perpetės diržas	11-3. Pagrindas
1-2. Mygtukas	7-2. Du kabliukai	11-4. Pjovimo gylis
1-3. Akumulatoriaus kasetė	8-1. Ištraukti	11-5. Gipso plokštė
2-1. Žvaigždutės ženklas	8-2. Patrumpinimui	12-1. Išleidimo anga (ventiliacijos anga)
3-1. Mygtukas „ HIGH/LOW“ (didelis/mažas)	8-3. Pailginimui	12-2. Antgalis
3-2. Išjungimo mygtukas	9-1. Priekinis antgalis	12-3. Kaištis
4-1. Kablys	9-2. Žarna	13-1. Dulkių surinkimo maišelio sujungimas
5-1. Išsikišimas	9-3. Nuėmimas	13-2. Kvadratinė dalis
6-1. Kaiščiai	9-4. Uždėjimas	15-1. Filto vieta
6-2. Žiedas	11-1. Dekoratyvinis popierius	
	11-2. Pjovimo diskas	

SPECIFIKACIJOS

Modelis		DVC340	DVC350		
Galia	Talpa	3,0 l			
	Didž. oro masė	3,3 m ³ /min	3,4 m ³ /min		
Nuolatinis naudojimas (Maždaug)	Aukštas	4 min (su BL1415)	6 min (su BL1815)		
		5 min (su BL1415N)	7 min (su BL1815N)		
		-	8 min (su BL1820)		
		10 min (su BL1430)	13 min (su BL1830)		
		13 min (su BL1440)	18 min (su BL1840)		
		-	21 min (su BL1850)		
	Žemas	8 min (su BL1415)	12 min (su BL1815)		
		10 min (su BL1415N)	14 min (su BL1815N)		
		-	16 min (su BL1820)		
		20 min (su BL1430)	26 min (su BL1830)		
		26 min (su BL1440)	36 min (su BL1840)		
		-	42 min (su BL1850)		
		Bendras ilgis		403 mm	
		Neto svoris		2,1 kg (BL1415 / BL1415N)	2,2 kg (BL1815 / BL1815N / BL1820)
2,3 kg (BL1430 / BL1440)	2,4 kg (BL1830 / BL1840 / BL1850)				
Nominali įtampa		Nuol. sr. 14,4 V	Nuol. sr. 18 V		

- Atliekame nepertraukiamus tyrimus ir nuolatos tobuliname savo gaminius, todėl čia pateikiamos specifikacijos gali būti keičiamos be įspėjimo.
- Specifikacijos ir akumuliatorių kasetės įvairiose šalyse gali skirtis.
- Svoris su akumulatoriaus kasete pagal Europos elektrinių įrankių asociacijos metodiką „EPTA-Procedure 01/2003“

Paskirtis

Šis įrankis skirtas sausoms dulkėms surinkti.

ENG905-1

Triukšmas

Tipiškas A svertinis triukšmo lygis nustatytas pagal EN60745:

Modelis DVC340

Garso slėgio lygis (L_{pA}): 81 dB (A)
Garso galios lygis (L_{WA}): 92 dB (A)
Paklaida (K) : 3 dB (A)

Modelis DVC350

Garso slėgio lygis (L_{pA}): 84 dB (A)
Garso galios lygis (L_{WA}): 95 dB (A)
Paklaida (K) : 3 dB (A)

Dėvėkite ausų apsaugas

ENG900-1

Vibracija

Vibracijos bendroji vertė (trijų ašių vektorinė suma) nustatyta pagal EN60745:

Darbinis režimas: veikimas be apkrovos
Vibracijos emisija (a_h): 2,5 m/s² arba mažiau
Paklaida (K) : 1,5 m/s²

ENG901-1

- Paskelbtasis vibracijos emisijos dydis nustatytas pagal standartinį testavimo metodą ir jį galima naudoti vienam įrankiui palyginti su kitu.
- Paskelbtasis vibracijos emisijos dydis taip pat gali būti naudojamas preliminariai įvertinti vibracijos poveikį.

⚠️ ĮSPĖJIMAS:

- Faktiškai naudojant elektrinį įrankį, keliamos vibracijos dydis gali skirtis nuo paskelbtojo dydžio, priklausomai nuo būdų, kuriais yra naudojamas šis įrankis.
- Siekiant apsaugoti operatorių, būtina įvertinkite saugos priemones, remdamiesi vibracijos poveikio įvertinimu esant faktinėms naudojimo sąlygoms (atsižvelgdami į visas darbo ciklo dalis, pavyzdžiui, ne tik kiek laiko įrankis veikia, bet ir kiek kartų jis yra išjungiamas bei kai jis veikia be apkrovų).

GEA010-1

Bendrieji perspėjimai darbui su elektriniais įrankiais

⚠️ **ĮSPĖJIMAS** Perskaitykite visus saugos įspėjimus ir instrukcijas. Nesilaikydami žemiau pateiktų įspėjimų ir instrukcijų galite patirti elektros smūgį, gaisrą ir/arba sunkų sužeidimą.

Išsaugokite visus įspėjimus ir instrukcijas, kad galėtumėte jas peržiūrėti ateityje.

SAUGOS ĮSPĖJIMAI DĖL AKUMULIATORINIO VAKUUMINIO VALYMO ĮRENGINIO NAUDOJIMO

⚠️ **ĮSPĖJIMAS! SVARBU: PRIEŠ PRADĖDAMI NAUDOTI, ATIDŽIAI PERSKAITYKITE visus saugos įspėjimus ir nurodymus.** Nesilaikydami toliau pateiktų įspėjimų ir nurodymų, galite patirti elektros smūgį, gaisrą ir (arba) sunkų sužeidimą.

1. Vartotojai privalo tinkamai susipažinti, kaip naudoti šį valymo įrenginį.
 2. Šis valymo įrenginys nėra tinkamas pavojingoms dulkėms surinkti.
 3. Šis valymo įrenginys skirtas tik sausam valymui.
 4. Šis valymo įrenginys skirtas naudoti tik patalpose.
 5. Šį valymo įrenginį reikia laikyti tik patalpose.
 6. Nesiurbkite šių medžiagų:
 - Karštų medžiagų, pavyzdžiui, degančių cigarečių arba kibirkščių/metalo dulkių, susidariusių šlifuojant/pjaunant metalą
 - Degių medžiagų, pavyzdžiui, gazolino, skiediklio, benzino, žibalo arba dažų
 - Sprogių medžiagų, pavyzdžiui, nitroglicerino
 - Degių medžiagų, pavyzdžiui, aliuminio, cinko, magnio, titano, fosforo arba celiulioido
 - Šlapio purvo, vandens, alyvos, tepalo arba panašių medžiagų
 - Kietų daiktų aštriais kraštais, pavyzdžiui, medžio skiedrų, metalų, akmenų, stiklų, vinių, smeigtukų arba skutimo peiliukų
 - Miltelių, kurie gali sukietėti, pavyzdžiui, cemento arba spausdintuvų dažų
 - Laidžių dulkių, pavyzdžiui, metalo arba anglies
 - Smulkių dalelių, pavyzdžiui, betono dulkių
- Tokie veiksmai gali sukelti gaisrą, sužeisti ir (arba) padaryti žalos turtui.
7. Pastebėję ką nors neįprasto, tučtuojau nutraukite darbą.
 8. Nenaudokite įrankio arti viryklės ar kitų šilumos šaltinių.
 9. Neužblokuokite įsiurbimo ar ventiliacijos angų.
 10. Kai akumuliatorius privirtintas, nepalikite šio valymo įrenginio be priežiūros. Kai prietaiso nenaudojate arba prieš atlikdami techninės priežiūros darbus, nuimkite akumuliatorių nuo prietaiso.
 11. Neleiskite vaikams naudoti šį gaminį kaip žaislą. Būtina atidžiai stebėti šį gaminį naudojančius vaikus arba naudojant šį gaminį šalia vaikų.

12. Naudokite tik taip, kaip aprašyta šiame vadove. Naudokite tik gamintojo rekomenduojamus priedus.
13. Nėikiškite jokių daiktų į angas. Nenaudokite, jeigu kuri nors anga yra užkimšta; angose neturi būti dulkių, pūkelių, plaukų ir jokių kitų daiktų, kurie galėtų sutrikdyti oro srautą.
14. Būkite itin atsargūs, valydami laiptus.
15. Naudodami šį valymo įrenginį kaip pūstuvą:
 - naudojimo metu visuomet dėvėkite apsauginius darbo akinius, kepurę ir antveidį;
 - prieš pašalindami užsikimšimą, visada patikrinkite, ar šis valymo įrenginys išjungtas, o akumuliatoriaus kasetė nuimta;
 - dirbdami nuožulniose vietose, visada tvirtai stovėkite ant žemės;
 - vaikščiokite, o ne bėgiokite;
 - niekada nenukreipkite antgalio į jokių netoliese esančius žmones;
 - Visos veržlės, varžtai ir sraigčiai turi būti tvirtai prisukti, kad būtų užtikrintos saugios valymo įrenginio darbo sąlygos;
 - Šį valymo įrenginį laikykite tik sausoje vietoje;
 - Operatorius arba vartotojas yra atsakingas už nelaimingus atsitikimus ar nelaimes, atsitikusias kitiems žmonėms arba jų turtui padarytą žalą.
4. Jei elektrolitas pateko į akis, plaukite jas tyru vandeniu ir nedelsdami kreipkitės į gydytoją. Yra regėjimo praradimo pavojus.
5. Neužtrumpinkite akumuliatoriaus kasetės:
 - (1) Kontaktų nelieskite jokiais elektra laidžiomis medžiagomis.
 - (2) Venkite laikyti akumuliatoriaus kasetę kartu su kitais metaliniais daiktais, pavyzdžiui, vinimis, monetomis ir t. t..
 - (3) Saugokite akumuliatoriaus kasetę nuo vandens ir lietaus.

Trumpasis jungimas akumuliatoriuje gali sukelti stiprią srovę, perkaitimą, galimus nudegimus ar net akumuliatoriaus gedimą.

6. Nelaikykite įrankio ir akumuliatoriaus kasetės vietoje, kur temperatūra gali pasiekti ar viršyti 50 ° C (122 ° F).
7. Nedeginkite akumuliatoriaus kasetės, net jei yra stipriai pažeista ar visiškai susidėvėjusi. Ugnyje akumuliatoriaus kasetė gali sprogti.
8. Saugokite akumuliatorių nuo kritimo ir smūgių.
9. Nenaudokite pažeisto akumuliatoriaus.
10. Vadovaukitės vietos įstatymais dėl akumuliatorių išmetimo.

SAUGOKITE ŠIAS INSTRUKCIJAS.

Patarimai, ką daryti, kad akumuliatorius tarnautų kuo ilgiau

1. Kraukite akumuliatoriaus kasetę prieš jai visiškai išsikraunant. Visuomet nustokite naudoti įrankį ir kraukite akumuliatoriaus kasetę, kai pastebite sumažėjusią įrankio galią.
2. Niekada nekraukite iki galo įkrautos akumuliatoriaus kasetės. Per didelis įkrovimas trumpina akumuliatoriaus eksploatacijos laiką.
3. Kraukite akumuliatoriaus kasetę kambario temperatūroje 10 ° C - 40 ° C (50 ° F - 104 ° F). Prieš kraudami leiskite atvėsti karštai akumuliatoriaus kasetei.
4. Įkraukite akumuliatoriaus kasetę kas šešis mėnesius, kai jos ilgai nenaudojate.

ĮSAUGOKITE ATEIČIAI

⚠ ĮSPĖJIMAS:

NELEISKITE, kad patogumas ir gaminio pažinimas (įgyjamas pakartotinai naudojant) susilpnintų griežtą saugos taisyklių, taikytinų šiam gaminiui, laikymąsi. Dėl **NETINKAMO NAUDOJIMO** arba saugos taisyklių nesilaikymo, kurios pateiktos šioje instrukcijoje galima rimtai susižeisti.

Šis valymo įrenginys skirtas naudoti ir namuose, ir komercijai, pavyzdžiui, viešbučiuose, mokyklose, ligoninėse, gamyklose, parduotuvėse, biuruose ir nuomos verslo įmonėse.

ENC007-8

SVARBIOS SAUGOS INSTRUKCIJOS

AKUMULIATORIAUS KASETEI

1. Prieš naudodami akumuliatoriaus kasetę, perskaitykite visas instrukcijas ir perspėjimus ant (1) akumuliatorių kroviklio, (2) akumuliatorių ir (3) akumuliatorių naudojančio gaminio.
2. Neardykite akumuliatoriaus kasetės.
3. Jei įrankio darbo laikas žymiai sutrumpėjo, nedelsdami nutraukite darbą su įrankiu. Tai kelia perkaitimo, nudegimų ar net sprogdimo pavojų.

VEIKIMO APRAŠYMAS

⚠DĖMESIO:

- Prieš reguliuodami valymo įrenginį arba tikrindami jo veikimą visada patikrinkite, ar valymo įrenginys išjungtas, o akumuliatorių kasetė - nuimta.

Akumuliatoriaus kasetės uždėjimas ir nuėmimas

Pav.1

⚠DĖMESIO:

- Prieš įdėdami arba išimdami akumuliatoriaus kasetę, visada išjunkite valymo įrenginį.
- Įdėdami arba išimdami akumuliatoriaus kasetę, tvirtai laikykite valymo prietaisą ir akumuliatoriaus kasetę. Jeigu valymo įrenginį ir akumuliatoriaus kasetę laikysite netvirtai, jie gali išskysti iš jūsų rankų ir sąlygoti valymo prietaiso bei akumuliatoriaus kasetės gedimą ir vartotojo sužalojimą.

Jeji norite išimti akumuliatoriaus kasetę, ištraukite ją iš valymo įrenginio, stumdami mygtuką, esantį kasetės priekyje.

Jeigu norite įdėti akumuliatoriaus kasetę, sutapdinkite liežuvėlį ant akumuliatoriaus kasetės su grioveliu korpuse ir įstumkite į skirtą vietą. Įdėkite iki galo, kol spragtelėdama užsifiksuos. Jeigu matote raudoną indikatorių viršutinėje mygtuko pusėje, ji nėra visiškai užfiksuota.

⚠DĖMESIO:

- Akumuliatoriaus kasetę visada įkiškite iki galo, kol nebematysite raudono indikatoriaus. Priešingu atveju ji gali atsitiktinai nukristi nuo įrankio, sužeisti jus ar aplinkinius.
- Nekiškite akumuliatoriaus kasetės įėga. Jeigu kasetė sunkiai lenda, ji kišama netinkamai.

Akumuliatoriaus apsaugos sistema

Valymo įrenginyje įrengta apsaugos sistema, kuri automatiškai išjungia galią, kad įrenginys ilgiau veiktų.

Valymo įrenginys išsijungia darbo metu esant šioms valymo įrenginio ir (arba) akumuliatoriaus darbo sąlygoms. Šią būseną sukelia įsijungusi apsaugos sistema ir tai nėra valymo įrenginio gedimas.

- Kai valymo įrenginys yra perkrautas:
Tokių atveju paspauskite mygtuką „OFF“ (išjungti) ir pašalinkite perkrovos priežastis, tuomet vėl paspauskite mygtuką „HIGH/LOW“ (didelis/mažas), kad valymo įrenginys vėl imtų veikti.
- Kai akumuliatoriaus elementas įkaista: (Žr. pastabą toliau.)

Jeji junginėsite mygtukus „HIGH/LOW“ (didelis/mažas) arba „OFF“ (išjungti), variklis neveiks. Tokiu atveju nebenaudokite valymo įrenginio ir atvėsinkite arba įkraukite akumuliatoriaus kasetę prieš išimdami ją iš valymo įrenginio.

- Kai akumuliatorius beveik išsikrovęs:
Jeji junginėsite mygtukus „HIGH/LOW“ (didelis/mažas) arba „OFF“ (išjungti), variklis neveiks. Tokiu atveju išimkite akumuliatoriaus kasetę iš valymo įrenginio ir įkraukite ją.

PASTABA:

- Ši temperatūrai jautri apsauga taikoma tik jeji valymo įrenginys naudojamas su akumuliatoriaus kasete, kuri pažymėta žvaigždute.

Pav.2

Jungiklio veikimas

Pav.3

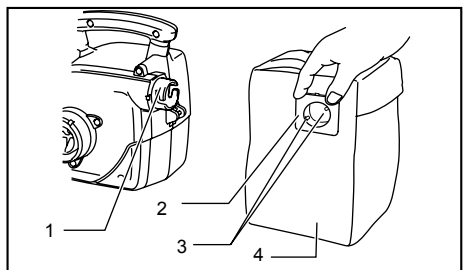
Norėdami pradėti dirbti šiuo valymo įrenginiu, tiesiog paspauskite mygtuką „HIGH/LOW“ (didelis/mažas). Norėdami išjungti, paspauskite mygtuką „OFF“ (išjungti). Norėdami pakeisti valymo įrenginio veikimo greitį, paspauskite mygtuką „HIGH/LOW“ (didelis/mažas). Pirmą kartą paspaudus šį mygtuką, įrankis veikia dideliu greičiu, o paspaudus jį antrą kartą - mažu greičiu; tuomet kiekvieną kartą paspaudus šį mygtuką, pakaitomis įjungiamas tai didelis, tai mažas veikimo greitis.

SURINKIMAS

⚠DĖMESIO:

- Prieš atlikdami bet kokius šio valymo įrenginio techninės priežiūros ar remonto darbus, visada patikrinkite, ar valymo įrenginys išjungtas, o akumuliatoriaus kasetė - nuimta.
- Atliekant bet kokius darbus nenuėmus nuo valymo įrenginio akumuliatoriaus kasetės, galima susižeisti arba padaryti žalos šalia valymo įrenginio esantiems objektams.

Dulkių maišelio uždėjimas



1. Dulkių išleidimo anga
2. Dulkių surinkimo maišelio sujungimas
3. Kaiščiai
4. Dulkių maišelis

011113

Laikydami kvadratinę dulkių surinkimo maišelio sujungimo dalį, įtaisykite dulkių surinkimo maišelio sujungimo viduje esančius kaiščius į valymo įrenginio dulkių išleidimo angos griovelius, tuomet įkiškite ją ir sukite ją pagal laikrodžio rodyklę tol, kol ji nebesisuks.

Pav.4

Dabar patikrinkite, ar tvirtinimo dalis, esanti ant dulkių surinkimo maišelio, yra nukreipta aukštyn.

PASTABA:

- Jeigu dulkių surinkimo maišelio sujungimas ir dulkių surinkimo maišelyje esantis žiedas atsiskiria, sumontuokite tokiu būdu.
 - (1) Sulygininkite dulkių surinkimo maišelio sujungimą su dulkių surinkimo maišelio siūle ir įtaisykite jį taip, kad iškyša būtų nukreipta aukštyn.

Pav.5

- (2) Tvirtai priveržkite dulkių surinkimo maišelio viduje esantį žiedą, kad kaiščiai ir žiedas būtų tokioje padėtyje, kaip parodyta paveikslėlyje.

Pav.6

Perpetės diržo pritvirtinimas

Pav.7

Vieną perpetės diržo galą pritvirtinkite prie valymo įrenginio priekyje esančio žiedo, o kitą perpetės diržo galą perveskite per dulkių surinkimo maišelio juostą, tuomet užkabinkite kito galo kabliuką, kaip parodyta paveikslėlyje.

Perpetės diržo reguliavimas

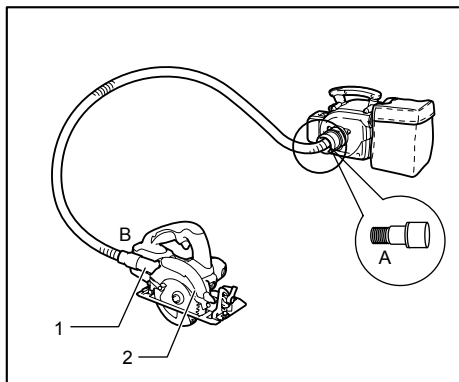
Pav.8

Norėdami pareguliuoti perpetės diržą, traukite jį, kol jis bus norimo ilgio ir patraukite diržą rodyklės kryptimi, kaip parodyta piešinyje.

Žarnos prijungimas

⚠DĖMESIO:

- **Saugokite žarną, kad jos nesulenktumėte ir (arba) ant jos neatsistotumėte.** Nesaugant žarnos ir (arba) ant jos užlipus, ji gali būti deformuota arba pažeista.
- **Netraukite valymo įrenginio už žarnos.** Traukiant už žarnos, ji gali būti deformuota arba pažeista.



1. Dulkių išleidimo anga
2. Elektrinis įrankis

011119

Įkiškite žarnos galą „A“ į valymo įrenginio siurbimo angą ir iki galo užsukite jį pagal laikrodžio rodyklę, kol jis užsifiksuos.

Ant žarnos galo „B“ uždėkite antgalį, tuomet prijunkite jį prie elektrinio įrankio dulkių išleidimo angos.

Priekinio antgalio pakeitimas

Pakeiskite priekinį žarnos antgalį, atsižvelgdami į naudojamo elektrinio įrankio dulkių išleidimo angos skersmenį.

Pav.9

Jeigu norite nuimti priekinį antgalį, laikykite žarną ir pasukite jį prieš laikrodžio rodyklę.

Norėdami uždėti priekinį antgalį, sukite jį pagal laikrodžio rodyklę tol, kol jis nebesisuks.

NAUDOJIMAS

⚠SPĖJIMAS:

- Niekada nenaudokite perpetės diržo dirbdami dideliame aukštyje.
- Kai naudojame šį valymo įrenginį kaip stacionarų valymo įrenginį, padėkite jį ant lygaus, stabilaus paviršiaus.

Vakuuminis valymo įrenginys

Pav.10

Kai naudojate šį valymo įrenginį kaip nešiojamąjį valymo įrenginį, pakabinkite valymo įrenginį ant skersai krutinės permosto perpetės diržo, tuomet jis nenukris.

Pav.11

PASTABA:

- Kartais, priklausomai nuo pjaunamo ruošinio ypatybių, pjaunant gipso plokštę, ilgas nupjautas dekoratyvinio popieriaus galas gali užstrigti žarnos viduje ir užkimšti ją. Jeigu taip atsitiktų, padidinkite elektrinio įrankio pjovimo gylio nustatymą, tuomet žarna bus atkimšta.

⚠DĖMESIO:

- Kai dulkių surinkimo maišelis yra visiškai naujas, pro jo paviršių gali skverbtis dulkės. Panaudojus jį kelis kartus, dulkių sumažės iki minimumo.

Valymo įrenginio naudojimas su antgaliu arba sumontuotu dulkių surinkimo maišeliu

⚠SPĖJIMAS:

- **Prieš uždėdami arba nuimdami antgalį arba bet kokį kitą valymo prietaiso priedą, visuomet būtinai išjunkite valymo įrenginį ir nuimkite jo akumulatoriaus kasetę.** Neišjungus įrenginio ir nenuėmus jo akumulatoriaus kasetės, galima sunkiai susižeisti.

PASTABA:

- Jeigu valymo įrenginį naudojote valymo įrenginio režimu, o paskui tuoj pat perjungėte pūstovo režimą, pašalinkite iš valymo įrenginio visas likusias dulkes, kad jos nebūtų išpūstos atgal į aplinką.

Kai įrenginys naudojamas kaip pūstuvus

Pav.12

Tinkamai uždėkite antgalį ant išleidimo angos (ventiliacijos angos), kad jis nenukristų.

Norėdami uždėti antgalį, įtaisykite antgalio viduje esantį kaištį į vieną iš valymo įrenginio griovelių, tuomet tvirtai užsukite antgalį, sukdami pagal laikrodžio rodyklę.

Norėdami nuimti antgalį, sukite jį prieš laikrodžio rodyklę ir nuimkite jį.

Nukreipkite viršutinį valymo įrenginio tašką, tada įjunkite jį.

Dulkių surinkimo maišelio iškratymas

⚠️ ĮSPĖJIMAS:

- **Prieš uždėdami ant valymo įrenginio arba nuimdami ir iškratydami (medžiaginį) dulkių surinkimo maišelį, visuomet būtinai išjunkite valymo įrenginį bei prie jo prijungtą elektrinį įrankį ir nuimkite valymo įrenginio akumuliatoriaus kasetę bei atjunkite elektrinį įrankį nuo maitinimo šaltinio (jeigu jis prijungtas laidu).** Neišjungus įrenginio, nenuėmus jo akumuliatoriaus kasetės ir neatjungus prijungto elektrinio įrankio nuo maitinimo šaltinio, gali kilti elektros smūgis, kuris gali sunkiai sužeisti.
- Kai dulkių surinkimo maišelis pripildomas maždaug iki pusės, nuimkite jį nuo valymo įrenginio ir ištraukite tvirtinimo dalį. Iškratykite maišelio turinį, lengvai jį patapšnodami, kad nukristų visos prie vidinių sienelių prilipę dalelės, kurios galėtų sukliudyti tolesniam dulkių surinkimui.

PASTABA:

- Norėdami sužinoti, kada reikia iškratyti dulkių surinkimo maišelį, atkreipkite dėmesį, kad dulkių surinkimo maišelis pripildomas išgręžus betono plokštėje maždaug 450 6,5 mm skersmens ir 40 mm gylio skylių. Dulkių surinkimo maišelis, užsikimšęs nuo susikaupusių dalelių, gali sumažinti dulkių surinkimo pajėgumą ir sugadinti valymo įrenginio variklį.

⚠️ DĖMESIO:

- **Prieš pradėdami naudoti, tvirtai pritvirtinkite (medžiaginį) dulkių surinkimo maišelį prie dulkių surinkimo maišelio sujungimo ir visiškai uždarykite tvirtinimo dalį.** Jeigu tvirtai nepritvirtinsite dulkių surinkimo maišelio arba ne visiškai uždarysite jo tvirtinimo dalį, dulks gali būti išpūstos ir sunkiai jus sužeisti.

Pav.13

Tvirtai suimkite kvadratinę dulkių surinkimo maišelio sujungimo dalį, pasukite ją prieš laikrodžio rodyklę, tuomet nuimkite dulkių surinkimo maišelį.

Pav.14

Atidarykite tvirtinimo dalį ir iškratykite dulkes.

⚠️ DĖMESIO:

- Nuvalykite visas aplink tvirtinimo dalį susikaupusias dulkes.

TECHNINĖ PRIEŽIŪRA

⚠️ ĮSPĖJIMAS:

- Visuomet įsitinkinkite, kad valymo įrenginys yra išjungtas ir akumuliatoriaus kasetė yra nuimta prieš atliekant apžiūrą arba techninę priežiūrą.

Filtro vietos valymas

⚠️ DĖMESIO:

- Nesiurbkite jokių kitų medžiagų, pavyzdžiui, akmenukų, medžio skiedrų ir pan., išskyrus dulkes, nes šis valymo įrenginys skirtas dulkems surinkti. Siurbiant akmenukus, medžio skiedras ir pan. medžiagas, gali sugesti ventiliatorius ir pats valymo įrenginys.

Pav.15

Reguliariai tikrinkite ir valykite įsiurbimo filtro vietą. Pašalinkite pašalines daleles, kurios sutrikdo siurbimo srautą.

Valymas

Retkarčiais nuvalykite siurblio išorę (siurblio korpusą), naudodami muiliname vandenyje sudrekinatą šluostę.

⚠️ DĖMESIO:

- Niekada nenaudokite gazolino, benzino, tirpiklio, spirito arba panašių medžiagų. Gali atsirasti išblukimų, deformacijų arba įtrūkimų.

Kad gaminyt būtų SAUGUS ir PATIKIMAS, jį taisyti, apžiūrėti ar vykdyti bet kokią kitą priežiūrą ar derinimą turi įgaliotasis kompanijos „Makita“ techninės priežiūros centras; reikia naudoti tik kompanijos „Makita“ pagamintas atsargines dalis.

PASIRENKAMI PRIEDAI

⚠️ DĖMESIO:

- Šiuos papildomus priedus arba įtaisus rekomenduojama naudoti su šioje instrukcijoje nurodytu bendrovės „Makita“ valymo įrenginiu. Naudojant bet kokius kitus papildomus priedus arba įtaisus, gali kilti pavojus sužeisti žmones. Naudokite tik nurodytam tikslui skirtus papildomus priedus arba įtaisus.

Jeigu norite daugiau sužinoti apie tuos priedus, kreipkitės į artimiausią „Makita“ techninės priežiūros centrą.

- Antgaliai
- Dulkių surinkimo maišeliai
- Žarnos
- Priekiniai antgaliai
- Perpetės diržai
- Originalus „Makita“ akumuliatorius ir kroviklis

PASTABA:

- Kai kurie sąraše esantys priedai gali būti pateikti įrankio pakuotėje kaip standartiniai priedai. Jie įvairiose šalyse gali skirtis.

EESTI (algsed juhised)

HOIATUS: Seda seadet võivad kasutada 8-aastased ja vanemad lapsed ning füüsiliste, sensorsete või vaimsete puuetega või puudulike kogemuste ja teadmistega isikud, juhul kui nad töötavad järelevalve all või kui neid on õpetatud seadet ohutult kasutama ja nad mõistavad seadme kasutamisega kaasnevaid ohtusid. Lapsed ei tohi seadmega mängida. Lapsed ei tohi seadet puhastada ega hooldada ilma järelevalveta.

Üldvaate selgitus

1-1. Punane näidik	7-1. Õlarihm	11-3. Tald
1-2. Nupp	7-2. Kaks konksu	11-4. Lõikesügavus
1-3. Akukassett	8-1. Tõmmake välja	11-5. Kipsplaat
2-1. Tähe märk	8-2. Lühendamiseks	12-1. Väljalaskeava (õhuava)
3-1. HIGH/LOW (KÕRGE/MADAL) nupp	8-3. Pikendamiseks	12-2. Otsak
3-2. Väljalülitusnupp	9-1. Esimansett	12-3. Tihvt
4-1. Konks	9-2. Voolik	13-1. Tolmukoti liide
5-1. Eend	9-3. Eemaldage	13-2. Kandiline osa
6-1. Nõelad	9-4. Paigaldage	15-1. Filtri ala
6-2. Rõngas	11-1. Dekoratiivpaber	
	11-2. Saetera	

TEHNILISED ANDMED

Mudel		DVC340	DVC350
Mahtuvus	Maht	3,0 l	
	Õhu max ruumala	3,3 m ³ /min	3,4 m ³ /min
Katkematu kasutamine (Ligik.)	Kiire	4 min (koos BL1415-ga)	6 min (koos BL1815-ga)
		5 min (koos BL1415N-ga)	7 min (koos BL1815N-ga)
		-	8 min (koos BL1820-ga)
		10 min (koos BL1430-ga)	13 min (koos BL1830-ga)
		13 min (koos BL1440-ga)	18 min (koos BL1840-ga)
		-	21 min (koos BL1850-ga)
	Aeglane	8 min (koos BL1415-ga)	12 min (koos BL1815-ga)
		10 min (koos BL1415N-ga)	14 min (koos BL1815N-ga)
		-	16 min (koos BL1820-ga)
		20 min (koos BL1430-ga)	26 min (koos BL1830-ga)
		26 min (koos BL1440-ga)	36 min (koos BL1840-ga)
		-	42 min (koos BL1850-ga)
	Kogupikkus	403 mm	
	Netomass	2,1 kg (BL1415 / BL1415N-ga)	2,2 kg (BL1815 / BL1815N / BL1820-ga)
2,3 kg (BL1430 / BL1440-ga)		2,4 kg (BL1830 / BL1840 / BL1850-ga)	
Nimipinge	Alalisvool 14,4 V		Alalisvool 18 V

- Meie jätkuva teadus- ja arendustegevuse programmi tõttu võidakse siin antud tehnilisi andmeid muuta ilma ette teatamata.
- Spetsifikatsioonid ja aku korpus võivad riigiti erineda.
- Kaal koos aku korpusega vastavalt EPTA-protseduurile 01/2003

Ettenähtud kasutamine

Tööriist on ette nähtud tolmu kogumiseks.

ENG905-1

Müra

Tüüpiline A-korrigeeritud müratase vastavalt EN60745:

Mudel DVC340

Müraarõhutase (L_{pA}) : 81 dB (A)
 Müra võimsustase (L_{WA}) : 92 dB (A)
 Määramatus (K) : 3 dB (A)

Mudel DVC350

Müraarõhutase (L_{pA}) : 84 dB (A)
 Müra võimsustase (L_{WA}) : 95 dB (A)
 Määramatus (K) : 3 dB (A)

Kandke kõrvakaitsmeid

ENG900-1

Vibratsioon

Vibratsiooni koguväärtus (kolmeteljeliste vektorite summa) määratud vastavalt EN60745:

Töörežiim: töö ilma laadimata
 Vibratsioonitase (a_h) : 2,5 m/s² või vähem
 Määramatus (K) : 1,5 m/s²

ENG901-1

- Deklareeritud vibratsiooniemissiooni väärtus on mõõdetud kooskõlas standardse testimismeetodiga ning seda võib kasutada ühe seadme võrdlemiseks teisega.
- Deklareeritud vibratsiooniemissiooni väärtust võib kasutada ka mürataseme esmaseks hindamiseks.

⚠️ HOIATUS:

- Vibratsioonitase võib elektritööriista tegelikkuses kasutamise ajal erineda deklareeritud väärtusest sõltuvalt tööriista kasutamise viisidest.
- Rakendage kindlasti operaatori kaitsmiseks piisavaid ohutusabinõusid, mis põhinevad hinnangulisel müratasemel tegelikus töösituatsioonis (võttes arvesse tööperioodi kõik osad nagu näiteks korrad, mil seade lülitatakse välja ja mil seade töötab tühikäigul, lisaks tööajale).

GEA010-1

Üldised elektritööriistade ohutushoiatused

⚠️ HOIATUS Lugege läbi kõik ohutushoiatused ja juhised. Hoiatuste ja juhiste mittejärgmine võib põhjustada elektrišokki, tulekahju ja/või tõsiseid vigastusi.

Hoidke alles kõik hoiatused ja juhised edaspidisteks viideteks.

JUHTMETA TOLMUIMEJA OHUTUSNÕUDED

⚠️ HOIATUS! ÄÄRMISELT OLULINE ON ENNE KASUTAMIST lugeda tähelepanelikult läbi kõik ohutushoiatused ja juhised. Hoiatuste ja juhiste eiramine võib põhjustada elektrišokki, tulekahju ja/või tõsiseid vigastusi.

1. Kasutajaid tuleb instrueerida antud tolmuimeja kasutamise alal.
2. See tolmuimeja ei sobi ohtlike ainete sisaldava tolmu kogumiseks.
3. Tolmuimeja on mõeldud ainult kuivpuhastamiseks.
4. Tolmuimeja on mõeldud kasutamiseks ainult siseruumides.
5. Tolmuimejat tuleb hoida ainult siseruumides.
6. Ärge korjake üles järgmisi asju:
 - kuumad asjad nagu põlevad sigaretid või metalli lihvimise/lõikamise käigus tekkinud kuumad osakesed/metallipuru;
 - tuleohtlikud materjalid nagu bensiin, lahusti, petrooleum või värv;
 - plahvatusohtlikud materjalid nagu näiteks nitroglütseriin;
 - süttimisohutlikud materjalid, nagu näiteks alumiinium, tsink, magneesium, titaan, fosfor või tselluloid;
 - märg praht, vesi, õli vms;
 - teravate servadega kõvad tükid nagu näiteks puulaastud, metallid, kivid, klaas, naelad, klambrid või lõiketerad;
 - kivistuv pulber, nagu näiteks tsement või savimuda;
 - elektrit juhtiv tolmu nagu näiteks metall või süsinik;
 - peenosakesed nagu näiteks betoonitolmu; selline tegevus võib põhjustada tulekahju, vigastusi ja/või varalist kahju.
7. Kui märkate midagi ebaharilikku, peatage töö viivitamatult.
8. Hoidke tööriist eemal ahjudest jm kuumusallikatest.
9. Ärge blokeerige sisselaskeava ja ventilatsioonivärskeid.
10. Ärge jätke akut tolmuimejale. Enne hooldust või kasutatavaks laste lähedal.
11. Mitte lubada kasutada mänguasjana. Olge tähelepanelik, kui seadet kasutavad lapsed või kasutatavaks laste lähedal.
12. Kasutage ainult vastavalt antud kasutusjuhendis toodud juhistele. Kasutage ainult tootja soovitatud lisatarvikuid.
13. Ärge asetage esemeid avadesse. Blokeeritud avade korral ei tohi tolmuimejat kasutada; vältige tolmu, kiude, karvu ja mis tahes esemeid, mis võivad blokeerida õhuvoolu.

14. Treppide puhastamisel olge eriti ettevaatlik.
15. Tolmuimeja kasutamisel puhurina
 - kandke alati kaitseprille, mütsi ja maski;
 - enne ummistuse kõrvaldamist veenduge, et tolmuimeja on välja lülitatud ja filtrikassett eemaldatud;
 - jälgige kallakutel alati, et teil oleks kindel jalgealune;
 - kõndige, ärge jookske;
 - ärge suunake otsaku lähedal viibivate isikute suunas.
 - Jälgige, et kõik mutrid, poldid ja kruvid oleksid tugevasti kinni keeratud, tagamaks tolmuimeja ohutu töötamise.
 - Hoidke tolmuimeajat ainult kuivas kohas.
 - Operaator või kasutaja vastutab selle eest, et ei tekiks õnnetusi ja ohtu teistele isikutele või nende varale.

HOIDKE ALLES EDASPIDISEKS KASUTAMISEKS

⚠ HOIATUS:

ÄRGE laske mugavusel või toote kasutamisharjumustel (mis on saanud korduva kasutuse jooksul) asendada vankumatut toote ohutuseeskirjade järgimist. VALE KASUTUS või käesoleva kasutusjuhendi ohutusnõuete eiramine võib põhjustada tõsiseid vigastusi.

Tolmuimeja on mõeldud kasutamiseks nii kodus kui ka teenuste pakkumiseks, nt hotellides, koolides, haiglates, tehastes, kauplustes, kontorites ja rendipindadel.

ENC007-8

TÄHTSAD OHUTUSALASED JUHISED

AKUKASSETI KOHTA

1. Enne akukasseti kasutamist lugege (1) akulaadijal, (2) akul ja (3) seadmel olevad kõik juhised ja hoiatused läbi.
2. Ärge akukassetti lahti monteerige.
3. Kui tööaeg järjest lüheneb, siis lõpetage kasutamine kohe. Edasise kasutamise tulemuseks võib olla ülekuumenemisoht, võimalikud põletused või isegi plahvatus.
4. Kui elektrolüüti satub silma, siis loputage silma puhta veega ja pöörduge kohe arsti poole. Selline õnnetus võib põhjustada pimedaksjäämist.
5. Ärge tekitage akukassetis lühist:
 - (1) Ärge puutuge klemme elektrijuhtidega.
 - (2) Ärge hoidke akukassetti tööriistakastis koos metallesemetega, nagu naelad, mündid jne.
 - (3) Ärge tehke akukassetti märjaks ega jätke seda vihma kätte.

Aku lühis võib põhjustada tugevat elektrivoolu, ülekuumenemist, põletusi ning ka seadet tõsiselt kahjustada.

6. Ärge hoidke tööriista ja akukassetti kohtades, kus temperatuur võib tõusta üle 50 ° C.
7. Ärge põletage akukassetti isegi siis, kui see on saanud tõsiselt vigastada või on täiesti kulunud. Akukassett võib tules plahvatada.
8. Olge ettevaatlik ning ärge laske akul maha kukkuda või lööge seda.
9. Ärge kasutage kahjustatud akut.
10. Järgige kasutuskõlbatuks muutunud aku käitlemisel kohalikke eeskirju.

HOIDKE JUHEND ALLES.

Vihjeid aku maksimaalse kasutusaja tagamise kohta

1. Laadige akukassetti enne kui see täiesti tühjaks saab.
Alati, kui märkate, et tööriist töötab väiksema võimsusega, peatage töö ja laadige akut.
2. Ärge kunagi laadige täislaetud akukassetti.
Liigne laadimine lühendab aku kasutusiga.
3. Laadige akukassetti toatemperatuuril 10 ° C - 40 ° C. Laske kuuma akukassetil enne laadimist maha jahtuda.
4. Kui Te akukassetti pikemat aega ei kasuta, laadige seda iga kuue kuu järel.

FUNKTSIONAALNE KIRJELDUS

⚠️ HOIATUS:

- Kandke alati hoolt selle eest, et seade oleks enne reguleerimist ja kontrollimist välja lülitatud ja akukassett eemaldatud.

Akukasseti paigaldamine või eemaldamine

Joon.1

⚠️ HOIATUS:

- Lülitage tolmuimeja alati enne akukasseti paigaldamist või eemaldamist välja.
- **Hoidke tolmuimejat ja akukassetti kindlalt käes, kui paigaldate või eemaldate akukassetti.** Kui eirata nõuet tolmuimeja ja akukasseti hoidmise kohta, võivad need käest libiseda ja maha kukkudes puruneda ning põhjustada kehavigastusi.

Akukasseti eemaldamiseks libistage see tolmuimejast välja, vajutades kasseti esiküljel paiknevat nuppu alla. Akukasseti paigaldamiseks joondage akukasseti keel korpuse soonega ja libistage kassett oma kohale. Paigaldage kassett alati nii kaugele, et see lukustuks klõpsatusega oma kohale. Kui näete nupu ülaosas punast osa, pole kassett täielikult lukustunud.

⚠️ HOIATUS:

- Paigaldage akukassett alati täies ulatuses nii, et punast osa ei jääks näha. Vastasel korral võib akukassett juhuslikult tolmuimejast välja kukkuda ning põhjustada teile või läheduses viibivatele isikutele vigastusi.
- Ärge rakendage jõudu akukasseti paigaldamisel. Kui kassett ei lähe kergesti sisse, pole see õigesti paigaldatud.

Aku kaitsesüsteem

Tolmuimeja on varustatud kaitsesüsteemiga, mis lülitab väljundvõimsuse automaatselt välja, et tagada seadme pikk tööiga.

Tolmuimeja seisub käitamise ajal, kui seadme ja/või aku kohta kehtivad järgmised tingimused. Selle põhjuseks ei ole tolmuimeja rike, vaid aktiveeritud kaitsesüsteem.

- Kui tolmuimeja on üle koormatud:
Sellisel juhul vajutage nupule „OFF“ (VÄLJAS) ja kõrvaldage ülekoormuse põhjused ning uuesti käivitamiseks vajutage nupule „HIGH/LOW“ (KÕRGE/MADAL).
- Kui aku muutub kuumaks: (vt alljärgnevat märkust)
Kui „HIGH/LOW“ ja „OFF“ nuppe kasutatakse, kuid mootor seisab sellegipoolest. Sellisel juhul ärge tolmuimejat kasutage ja jahutage või laadige akukassetti, kui olete selle tolmuimejast välja võtnud.
- Kui aku võimsus väheneb:
Kui „HIGH/LOW“ ja „OFF“ nuppe kasutatakse, kuid mootor seisab sellegipoolest. Sellisel juhul eemaldage akukassett tolmuimejast ja laadige seda.

MÄRKUS:

- Seda temperatuuritundlikku kaitset rakendatakse ainult siis, kui tolmuimejal kasutatakse tähe märgiga akukassetti.

Joon.2

Lüliti funktsioneerimine

Joon.3

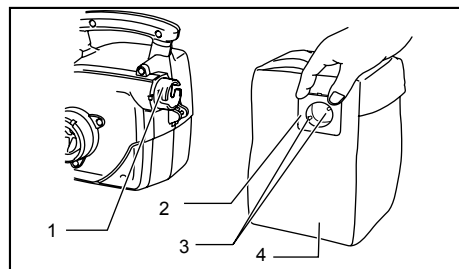
Tolmuimeja sisselülitamiseks vajutage nuppu „HIGH/LOW“ (KÕRGE/MADAL). Väljalülitamiseks vajutage nuppu „OFF“ (VÄLJA). Tolmuimeja kiiruse muutmiseks vajutage nuppu „HIGH/LOW“ (KÕRGE/MADAL). Esimesel vajutusel käivitub tolmuimeja suurel võimsusel ja teisel vajutusel madalamal võimsusel, seejärel vaheldub lülitustsükkel kõrge/madal.

KOKKUPANEK

⚠️ HOIATUS:

- Kandke alati hoolt selle eest, et tolmuimeja oleks enne igasuguseid hooldustöid välja lülitatud ja akukassett eemaldatud.
- Hooldustööde teostamine olukorras, kus akukassett ei ole eemaldatud, võib põhjustada isikule vigastusi ja kahjustada läheduses olevaid esemeid.

Tolmukoti paigaldamine



1. Tolmuväljalaskeava
2. Tolmukoti liide
3. Nõelad
4. Tolmukott

011113

Hoidke tolmukoti kandilist elementi ja sobitage tolmukoti sees olevad tihtid tolmuimeja tolmuuva salkudele, seejärel sisestage ja keerake päripäeva lõpuni.

Joon.4

Samal ajal jälgige, et tolmukoti fiksaatori esiosa jääks ülespoole.

MÄRKUS:

- Kui tolmukoti liides ja tolmukoti siserõngas ära tulevad, paigaldage järgmiselt.
(1) Joondage tolmukoti liides tolmukoti õmbluse kohale ning paigaldage selliselt, et etteulatuv osa jääks ülespoole.

Joon.5

- (2) Kinnitage tolmukoti sisemine rõngas tugevasti nii, et tihvtid ja rõngas jääksid, nagu joonisel näidatud.

Joon.6

Õlarihma paigaldamine

Joon.7

Kinnitage õlarihma konksu üks ots tolmuimeja ees olevasse rõngasse ja pistke rihma teine ots läbi tolmukoti paela, seejärel ühendage teine konks, nagu joonisel näidatud.

Õlarihma reguleerimine

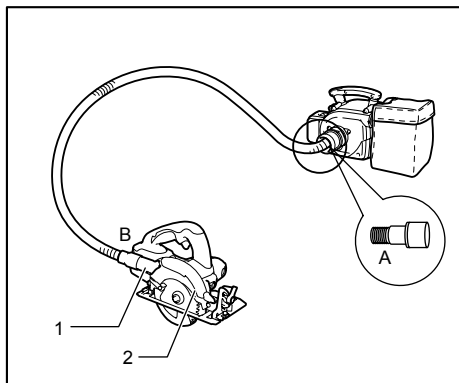
Joon.8

Õlarihma reguleerimiseks tõmmake see noole suunas soovitud pikkuses välja, nagu joonisel näidatud.

Vooliku ühendamine

⚠ HOIATUS:

- Ärge painutage ega vajutage voolikut jõuga. Jõu rakendamine ja vooliku muljumine põhjustab vooliku deformeerumist.
- **Kandmisel ärge hoidke tolmuimejat voolikust.** Voolikust tõmbamine põhjustab deformeerumist ja kahjustab voolikut.



1. Tolmuväljalaskeava

2. Elektritööriist

011119

Sisestage vooliku „A“ ots tolmuimeja imemisavasse, keerates seda päripäeva kuni lukustumiseni.

Ühendage mansett vooliku „B“ otsaga ja seejärel elektriseadme tolmu väljalaskeavaga.

Esimanseti vahetamine

Vahetage vooliku esimansett vastavalt tolmuimeja tolmu väljalaskeava suurusele.

Joon.9

Esimanseti eemaldamiseks hoidke voolikust kinni ja keerake seda vastupäeva.

Esimanseti paigaldamiseks keerake seda päripäeva kuni lõpuni.

TÖÖRIISTA KASUTAMINE

⚠ HOIATUS:

- Ärge kasutage õlarihma, kui töotate kõrgel.
- Kui kasutate tolmuimejat statsionaarselt, asetage see tasasele ja stabiilsele pinnale.

Tolmuimeja

Joon.10

Kui kasutate tolmuimejat portatiivselt õlarihmaga risti üle rinna, siis ei kuku see nii kergesti maha.

Joon.11

MÄRKUS:

- Olenevalt töö iseloomust ja lõigatavast detailist, võib kipsplaadi lõikamisel eralduv pikk dekoratiivpabeririba vooliku ära ummistada. Sellisel juhul suurendage seadme lõikesügavust, et imemisvoolikust ei tekiks ummistust.

⚠ HOIATUS:

- Uue tolmukoti korral võib tolm koguneda koti pinnale. Paari kasutamise järel väheneb tolmukoti leke miinimumini.

Tolmuimeja kasutamine paigaldatud otsaku või tolmukotiga

⚠ HOIATUS:

- **Kandke hoolt, et tolmuimeja oleks alati välja lülitatud ja akukassett eemaldatud, kui paigaldate või eemaldate tolmuimeja otsakut või muud lisatarvikut.** Kui jätate seadme välja lülitamata või aku eemaldamata, võib see lõppeda tõsise kehavigastusega.

MÄRKUS:

- Pärast tolmuimeja kasutamist tuleb seade enne puhurina kasutamist puhastada, vastasel juhul puhute tolmu välja.

Kasutamine puhurina

Joon.12

Kinnitage otsak kindlalt väljalaskeavale (õhuava).

Otsaku paigaldamiseks seadistage otsaku etteulatuv tihvt tolmuimeja sãlgule ja keerake otsak päripäeva tugevasti kinni.

Otsaku eemaldamiseks keerake seda päripäeva ja tõmmake välja.

Tõstke tolmuimeja ots üles ja lülitage sisse.

Tolmukoti tühjendamine

⚠ HOIATUS:

- **Jälgige alati, et tolmuimeja ja ühendatud elektriseade oleksid välja lülitatud ja akukassett eemaldatud ning juhtmega elektriseade oleks enne tolmukoti paigaldamist või eemaldamist ja tolmukoti tühjendamist (riidest tolmukott) vooluallikast**

eemaldatud. Kui eirata nõuet aku väljalülitamise-, akukasseti eemaldamise- ja elektriseadme vooluallikast välja lülitamise kohta, võib kaasnedes elektrišokk ja raske kehavigastus.

- Kui tolmuikott on poolenisti täis, eemaldage kott tolmuimejast ja tõmmake fiksaator välja. Tühjendage tolmuikott, koputades seda kergelt, et eemaldada külgedele kinnitunud osakesed, mis võivad takistada edasist tolmuikogumist.

MÄRKUS:

- **Juhendi alusel tuleks tühjendada täitunud tolmuikotti, kui tsemendi sisse on puuritud 450 auku läbimõõduga 6,5 mm ja sügavusega 40 mm.** Tolmuikotti kogunenud osakesed vähendavad tolmuikogumise efektiivsust ja võivad kahjustada tolmuimeja mootorit.

⚠HOIATUS:

- **Enne kasutamist ühendage tolmuikott (riidest kott) tolmuikoti liidesele ja kinnitage tugevasti fiksaator.** Kui tolmuikott ei ole tugevasti kinnitatud ja fiksaator täielikult kinni, võib tolmu välja paiskuda ja põhjustada tõsise kehavigastuse.

Joon.13

Võtke tugevasti tolmuikoti liidese kandilisest osast kinni, pöörake seda vastupäeva ja seejärel eemaldage tolmuikott.

Joon.14

Avage fiksaator ja eemaldage tolmu.

⚠HOIATUS:

- Eemaldage kõik fiksaatori piirkonda kinnitunud osakesed.

HOOLDUS

⚠HOIATUS:

- Enne mis tahes osa kontrollimist või hooldust kindlustage alati, et tolmuimeja oleks välja lülitatud ja akukassett eemaldatud.

Filtri ala puhastamine

⚠HOIATUS:

- Tolmuimeja on mõeldud ainult tolmu kogumiseks, ärge koguge sellega kive, laaste ja muud sarnast. Kivide, laastude ja muu sellise kogumine võib kahjustada tiivikut ja tolmuimejat.

Joon.15

Kontrollige ja puhastage imemisava filtrit regulaarselt. Eemaldage imemist takistavad võõrkehaded.

Puhastamine

Puhastage tolmuimeja korpuse välispinda aeg-ajalt seebivees niisutatud lapiga.

⚠HOIATUS:

- Ärge kunagi kasutage bensiini, vedeldit, alkoholi ega midagi muud sarnast. Selle tulemuseks võib olla lülitumine, deformatsioon või pragunemine.

Toote OHUTUSE ja TÖÖKINDLUSE tagamiseks tuleb vajalikud remonttööd, muud hooldus- ja reguleerimistööd lasta teha Makita volitatud teeninduskeskustes. Alati tuleb kasutada Makita varuosi.

VALIKULISED TARVIKUD

⚠HOIATUS:

- Käesolevas kasutusjuhendis kirjeldatud lisatarvikud ja -seadised on mõeldud kasutamiseks Makita tolmuimejaga. Mis tahes muude lisatarvikute ja -seadiste kasutamine võib põhjustada kehavigastusi. Kasutage lisatarvikut või -seadist ainult selleks ettenähtud eesmärgil.

Saate vajadusel kohalikust Makita teeninduskeskusest lisateavet nende tarvikute kohta.

- Otsakud
- Tolmuikotid
- Voolikud
- Esimansetid
- Õlarihmad
- Makita algupärane aku ja laadija

MÄRKUS:

- Mõned nimekirjas loetletud tarvikud võivad kuuluda standardvarustusse ning need on lisatud tööriista pakendisse. Need võivad riikide lõikes erineda.

РУССКИЙ ЯЗЫК (Исходная инструкция)

ВНИМАНИЕ: Данный инструмент могут использовать дети с 8 лет и лица с ограниченными физическими, сенсорными или умственными способностями, а также не имеющие надлежащего опыта и знаний, за исключением случаев, когда они действуют под руководством или после надлежащего инструктажа по безопасному использованию инструмента и понимают возможные опасности. Не разрешайте детям играть с инструментом. Детям запрещается проводить чистку и обслуживание без контроля со стороны взрослых.

Объяснения общего плана

1-1. Красный индикатор	7-2. Два карабина	11-4. Глубина резки
1-2. Кнопка	8-1. Вытяните	11-5. Гипсокартонный лист
1-3. Блок аккумулятора	8-2. Для укорачивания	12-1. Выходное отверстие (вентиляционное отверстие)
2-1. Звездочка	8-3. Для удлинения	12-2. Форсунка
3-1. Кнопка HIGH/LOW	9-1. Передний рукав	12-3. Штифт
3-2. Кнопка выключения	9-2. Шланг	13-1. Место соединения мешка для сбора пыли
4-1. Крючок	9-3. Снять	13-2. Квадратное сечение
5-1. Выступ	9-4. Установить	15-1. Площадь фильтра
6-1. Штифты	11-1. Декоративная бумага	
6-2. Кольцо	11-2. Пильное лезвие	
7-1. Плечевой ремень	11-3. Основание	

ТЕХНИЧЕСКИЕ ХАРАКТЕРИСТИКИ

Модель		DVC340	DVC350	
Производительность	Объем	3,0 л		
	Макс. объем воздуха	3,3 м ³ /мин	3,4 м ³ /мин	
Продолжительность использования (Приблизительно)	Высокая	4 мин (с BL1415)	6 мин (с BL1815)	
		5 мин (с BL1415N)	7 мин (с BL1815N)	
		-	8 мин (с BL1820)	
		10 мин (с BL1430)	13 мин (с BL1830)	
		13 мин (с BL1440)	18 мин (с BL1840)	
		-	21 мин (с BL1850)	
	Низкая	8 мин (с BL1415)	12 мин (с BL1815)	
		10 мин (с BL1415N)	14 мин (с BL1815N)	
		-	16 мин (с BL1820)	
		20 мин (с BL1430)	26 мин (с BL1830)	
		26 мин (с BL1440)	36 мин (с BL1840)	
		-	42 мин (с BL1850)	
		Общая длина	403 мм	
		Вес нетто	2,1 кг (BL1415 / BL1415N)	2,2 кг (BL1815 / BL1815N / BL1820)
2,3 кг (BL1430 / BL1440)	2,4 кг (BL1830 / BL1840 / BL1850)			
Номинальное напряжение	14,4 В пост. Тока	18 В пост. Тока		

- Благодаря нашей постоянно действующей программе исследований и разработок, указанные здесь технические характеристики могут быть изменены без предварительного уведомления.
- Технические характеристики и аккумуляторный блок могут отличаться в зависимости от страны.
- Масса (с аккумуляторным блоком) в соответствии с процедурой EPTA 01.2003

Использование по назначению

Данный инструмент предназначен для сбора сухой пыли.

ENG905-1

Шум

Типичный уровень взвешенного звукового давления (A), измеренный в соответствии с EN60745:

Модель DVC340

Уровень звукового давления (L_{pA}): 81 дБ (A)
 Уровень звуковой мощности (L_{WA}): 92 дБ (A)
 Погрешность (K): 3 дБ (A)

Модель DVC350

Уровень звукового давления (L_{pA}): 84 дБ (A)
 Уровень звуковой мощности (L_{WA}): 95 дБ (A)
 Погрешность (K): 3 дБ (A)

Используйте средства защиты слуха

ENG900-1

Вибрация

Суммарное значение вибрации (сумма векторов по трем осям) определяется по следующим параметрам EN60745:

Рабочий режим: эксплуатация без нагрузки.
 Распространение вибрации (a_v): 2,5 м/с² или менее
 Погрешность (K): 1,5 м/с²

ENG901-1

- Заявленное значение распространения вибрации измерено в соответствии со стандартной методикой испытаний и может быть использовано для сравнения инструментов.
- Заявленное значение распространения вибрации можно также использовать для предварительных оценок воздействия.

⚠️ ПРЕДУПРЕЖДЕНИЕ:

- Распространение вибрации во время фактического использования электроинструмента может отличаться от заявленного значения в зависимости способа применения инструмента.
- Обязательно определите меры безопасности для защиты оператора, основанные на оценке воздействия в реальных условиях использования (с учетом всех этапов рабочего цикла, таких как выключение инструмента, работа без нагрузки и включение).

Общие рекомендации по технике безопасности для электроинструментов

⚠️ ПРЕДУПРЕЖДЕНИЕ Ознакомьтесь со всеми инструкциями и рекомендациями по технике безопасности. Невыполнение инструкций и рекомендаций может привести к поражению электротоком, пожару и/или тяжелым травмам.

Сохраните брошюру с инструкциями и рекомендациями для дальнейшего использования.

ENB117-4

ПРАВИЛА ТЕХНИКИ БЕЗОПАСНОСТИ ПРИ ЭКСПЛУАТАЦИИ АККУМУЛЯТОРНОГО ПЫЛЕСОСА

⚠️ ПРЕДОСТЕРЕЖЕНИЕ! ВАЖНО! ВНИМАТЕЛЬНО ОЗНАКОМЬТЕСЬ со всеми инструкциями и рекомендациями по технике безопасности **ДО НАЧАЛА РАБОТЫ**. Невыполнение инструкций и рекомендаций может привести к поражению электротоком, пожару и/или тяжелым травмам.

1. **Перед началом эксплуатации операторы должны пройти соответствующий инструктаж по работе с данным пылесосом.**
2. **Данный пылесос не предназначен для сбора пыли опасных веществ.**
3. **Данный пылесос предназначен только для сухой чистки.**
4. **Данный пылесос предназначен только для работы в помещении.**
5. **Данный пылесос должен храниться только в помещении.**
6. **Запрещается собирать следующие материалы:**
 - Горячие материалы (напр., зажженные сигареты) или искры/стружку при шлифовке/резании металла
 - Горючие материалы (например, бензин, растворитель, бензол, керосин или краска)
 - Взрывоопасные материалы (например, нитроглицерин)
 - Воспламеняющиеся материалы (например, алюминий, цинк, магний, титан, фосфор или целлулоид)
 - Жидкую грязь, воду, масло и подобные материалы
 - Твердые частицы с острыми краями (например, древесные стружки, металлы, камни, стекла, гвозди, штифты или бритвы)

- Пыль от цемента или тонера
- Электропроводящую пыль (например, металлов или угля)
- Тонкодисперсные частицы (например, пыль от бетона)

Подобные действия могут привести к пожару, травмам и/или повреждению имущества.

7. Немедленно прекратите работу, если вы заметили какие-либо отклонения.
8. Не подносите близко к печам и источникам тепла.
9. Не блокируйте входные и вентиляционные отверстия.
10. Не оставляйте пылесос с установленной аккумуляторной батареей. Снимайте аккумуляторную батарею на время хранения пылесоса и перед его обслуживанием.
11. Не позволяйте пылесосу использоваться в качестве игрушки. При использовании рядом или близко от детей необходимо соблюдать повышенную осторожность.
12. Используйте только так, как описано в настоящем руководстве. Используйте только принадлежности, рекомендованные производителем.
13. Не помещайте никакие предметы в отверстия.. Не используйте, если какое-либо отверстие заблокировано. Предотвращайте попадание пыли, пуха, волос и всего того, что может уменьшить поток воздуха.
14. Проявляйте особую осторожность при чистке на лестницах.
15. При использовании пылесоса в качестве вентилятора
 - во время работы обязательно надевайте защитные очки, головной убор и маску;
 - перед прочисткой засора обязательно убедитесь, что пылесос отключен от сетевой розетки, и что с него снята аккумуляторная батарея;
 - соблюдайте осторожность на склонах;
 - передвигайтесь шагом, не бегайте;
 - не направляйте сопло на находящихся поблизости людей;
 - Все гайки, болты и винты должны быть надежно затянуты - это обеспечит безопасность и работоспособность;
 - Храните пылесос только в сухом помещении;
 - Оператор/пользователь несет ответственность за происшествия и опасные ситуации с другими людьми или их имуществом.

**СОХРАНИТЕ ДЛЯ
ИСПОЛЬЗОВАНИЯ В
ДАЛЬНЕЙШЕМ**

⚠️ ПРЕДУПРЕЖДЕНИЕ:

НЕ ДОПУСКАЙТЕ, чтобы удобство или опыт эксплуатации данного устройства (полученный от многократного использования) доминировали над строгим соблюдением правил техники безопасности при обращении с этим устройством. **НЕПРАВИЛЬНОЕ ИСПОЛЬЗОВАНИЕ** инструмента или несоблюдение правил техники безопасности, указанных в данном руководстве, может привести к тяжелой травме.

Данный пылесос предназначен как для домашнего, так и для коммерческого использования (например, в гостиницах, школах, больницах, заводах, магазинах, офисах и арендных помещениях).

ENC007-8

ВАЖНЫЕ ИНСТРУКЦИИ ПО ТЕХНИКЕ БЕЗОПАСНОСТИ ДЛЯ АККУМУЛЯТОРНОГО БЛОКА

1. Перед использованием аккумуляторного блока прочитайте все инструкции и предупреждающие надписи на (1) зарядном устройстве, (2) аккумуляторном блоке и (3) инструменте, работающем от аккумуляторного блока.
2. Не разбирайте аккумуляторный блок.
3. Если время работы аккумуляторного блока значительно сократилось, немедленно прекратите работу. В противном случае, может возникнуть перегрев блока, что приведет к ожогам и даже к взрыву.
4. В случае попадания электролита в глаза, промойте их обильным количеством чистой воды и немедленно обратитесь к врачу. Это может привести к потере зрения.
5. Не замыкайте контакты аккумуляторного блока между собой:
 - (1) Не прикасайтесь к контактам какими-либо токопроводящими предметами.
 - (2) Не храните аккумуляторный блок в контейнере вместе с другими металлическими предметами, такими как гвозди, монеты и т. п.
 - (3) Не допускайте попадания на аккумуляторный блок воды или дождя. Замыкание контактов аккумуляторного блока между собой может привести к возникновению большого тока, перегреву, возможному ожогу и даже разрыву блока.
6. Не храните инструмент и аккумуляторный блок в местах, где температура может достигать или превышать 50 ° C (122 ° F).
7. Не бросайте аккумуляторный блок в огонь, даже если он сильно поврежден или полностью вышел из строя. Аккумуляторный блок может взорваться под действием огня.

8. Не роняйте и не ударяйте аккумуляторный блок.
9. Не используйте поврежденный аккумуляторный блок.
10. Выполняйте требования местного законодательства относительно утилизации аккумуляторного блока.

СОХРАНИТЕ ДАННЫЕ ИНСТРУКЦИИ.

Советы по обеспечению максимального срока службы аккумуляторного блока

1. Заряжайте аккумуляторный блок до того, как он полностью разрядится. В случае потери мощности при эксплуатации инструмента, прекратите работу и зарядите аккумуляторный блок.
2. Никогда не заряжайте полностью заряженный аккумуляторный блок. Перезарядка сокращает срок службы блока. Заряжайте аккумуляторный блок при комнатной температуре в пределах от 10 ° C до 40 ° C (от 50 ° F до 104 ° F). Перед зарядкой дайте горячему аккумуляторному блоку остыть.
4. Если инструмент не используется в течение длительного времени, заряжайте аккумуляторный блок один раз в шесть месяцев.

ОПИСАНИЕ ФУНКЦИОНИРОВАНИЯ

⚠️ПРЕДУПРЕЖДЕНИЕ:

- Перед регулировкой или проверкой функций пылесоса обязательно убедитесь, что он выключен и аккумуляторный блок снят с инструмента.

Установка или снятие блока аккумуляторов

Срис.1

⚠️ПРЕДУПРЕЖДЕНИЕ:

- Обязательно выключайте пылесос перед установкой и извлечением аккумуляторного блока.
- При установке или снятии аккумуляторного блока надежно удерживайте пылесос и аккумуляторный блок. Иначе пылесос или аккумуляторный блок могут выскользнуть из рук, что может привести к травмам или повреждению пылесоса и аккумуляторного блока.

Для снятия аккумуляторного блока нажмите кнопку на лицевой стороне и извлеките блок из пылесоса.

Для установки аккумуляторного блока совместите выступ блока с пазом в корпусе и задвиньте его на место. Устанавливайте блок до упора так, чтобы он зафиксировался на месте с небольшим щелчком. Если вы можете видеть красный индикатор на верхней части клавиши, аккумуляторный блок не полностью установлен на месте.

⚠️ПРЕДУПРЕЖДЕНИЕ:

- Обязательно устанавливайте аккумуляторный блок до конца, чтобы красный индикатор не был виден. В противном случае аккумуляторный блок может выпасть из пылесоса и нанести травму вам или другим людям.
- Не прилагайте чрезмерных усилий при установке аккумуляторного блока. Если блок не двигается свободно, значит он вставлен неправильно.

Система защиты аккумулятора

Пылесос оснащен системой защиты, которая автоматически отключает выходное питание для продления срока службы инструмента.

Пылесос останавливается во время работы при возникновении указанных ниже ситуаций. Это вызвано активацией системы защиты и не является признаком неисправности.

- В случае перегрузки пылесоса:
Нажмите кнопку "OFF" (Выкл.) и устраните причину перегрузки. Затем снова нажмите кнопку "HIGH/LOW" для перезапуска.
- Когда банки аккумуляторной батареи нагреваются: (см. примечание ниже.)

При нажатии кнопок "HIGH/LOW" и "OFF" (Выкл.) электродвигатель не будет включаться. Прекратите эксплуатацию пылесоса и, сняв аккумуляторный блок,

охладите или зарядите его.

- В случае сильного истощения аккумулятора:
При нажатии кнопок "HIGH/LOW" и "OFF" (Выкл.) электродвигатель не будет включаться. Снимите аккумуляторный блок с пылесоса и зарядите его.

Примечание:

- Система теплзащиты срабатывает только при использовании в пылесосе блока аккумулятора, маркированного звездочкой.

Рис.2

Действие переключения

Рис.3

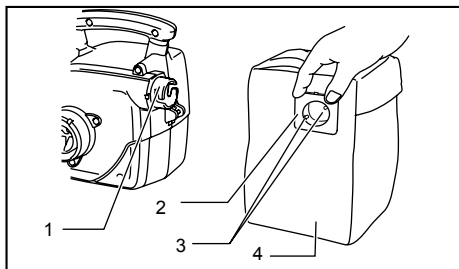
Для включения пылесоса просто нажмите кнопку "HIGH/LOW". Чтобы выключить инструмент, нажмите кнопку "Выкл.". Для изменения скорости пылесоса нажмите кнопку "HIGH/LOW". Первое нажатие кнопки означает высокую скорость, второе – низкую. Каждое последующее нажатие попеременно повторяет цикл высокой/низкой скорости.

МОНТАЖ

⚠ ПРЕДУПРЕЖДЕНИЕ:

- Перед выполнением каких-либо работ на пылесосе обязательно убедитесь, что он выключен и с него снят аккумуляторный блок.
- В противном случае это может стать причиной травм или повреждения окружающих предметов.

Установка мешка для пыли



1. Выходное пылесборное отверстие
2. Место соединения мешка для сбора пыли
3. Штифты
4. Мешок для пыли

011113

Удерживая квадратную часть соединения мешка для сбора пыли, вставьте выступы пылесборного мешка в пазы выходного отверстия для пыли, затем вставьте и поверните по часовой стрелке до упора.

Рис.4

При этом убедитесь, что крепление мешка для сбора пыли обращено вверх.

Примечание:

- Как только стык крепления мешка для сбора пыли отсоединится от кольца внутри, установите как описано ниже.
(1) Совместите стык с закраиной пылесборного мешка и установите его таким образом, чтобы его выступ был обращен вверх.

Рис.5

- (2) Надежно затяните кольцо в мешке для сбора пыли так, чтобы выступы и кольцо находились как показано на рисунке.

Рис.6

Установка наплечного ремня

Рис.7

Подсоедините один конец плечевого ремня к кольцу на передней части пылесоса, а второй проденьте через ремень мешка, затем закрепите крючок на втором конце как показано на рисунке.

Регулировка наплечного ремня

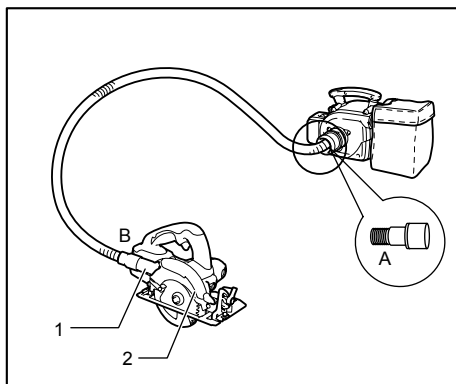
Рис.8

Чтобы отрегулировать длину плечевого ремня, вытяните его на нужную длину и потяните ремень по стрелке, как показано на рисунке.

Подсоединение шланга

⚠ ПРЕДУПРЕЖДЕНИЕ:

- **Не прикладывайте к шлангу чрезмерных усилий, чтобы не согнуть и не пережать его.** Это может привести к деформации или повреждению шланга.
- **Не тяните за шланг для перемещения пылесоса.** Это может привести к деформации или повреждению шланга.



1. Выходное пылесборное отверстие
2. Электронинструмент

011119

Вставьте конец А шланга во всасывающее отверстие пылесоса и поверните его по часовой стрелке до фиксации.

Подсоедините рукав к концу В шланга, а затем подсоедините к выходному отверстию электроинструмента.

Замена переднего рукава

Замените передний рукав шланга в соответствии с размером используемого выходного отверстия электроинструмента.

Рис.9

Чтобы снять передний рукав, удерживайте шланг и поверните его против часовой стрелки.

Чтобы установить передний рукав, поверните его по часовой стрелке и закрутите до фиксации.

ЭКСПЛУАТАЦИЯ

⚠️ПРЕДУПРЕЖДЕНИЕ:

- Не используйте плечевой ремень при работе в высоко расположенных местах.
- При использовании пылесоса в качестве стационарного инструмента поместите его на ровную устойчивую поверхность.

Пылесос

Рис.10

При использовании пылесоса в переносном режиме ремень можно надеть на противоположное плечо, это повысит надежность удержания устройства.

Рис.11

Примечание:

- Длинные полосы декоративной бумаги, получаемые, например, при резании гипсокартона, могут закупорить шланг пылесоса. В этом случае увеличьте глубину резания на инструменте, и шланг пылесоса очистится.

⚠️ПРЕДУПРЕЖДЕНИЕ:

- Когда мешок для сбора пыли еще новый, через него может просачиваться пыль. После нескольких использований количество просачиваемой пыли сократится.

Эксплуатация пылесоса с установленной насадкой или мешком для сбора пыли

⚠️ПРЕДУПРЕЖДЕНИЕ:

- **Перед установкой или снятием насадки или других приспособлений обязательно убедитесь, что пылесос выключен и с него снят аккумуляторный блок.** Невыполнение данного требования может привести к серьезным травмам.

Примечание:

- Перед переключением устройства из режима пылесоса в режим вентилятора удалите всю оставшуюся пыль из пылесоса, чтобы не допустить ее выброса и рассеивания.

Использование в качестве вентилятора

Рис.12

Установите насадку на выходное отверстие (вентиляционное отверстие).

Чтобы установить насадку, соедините выступ с внутренней стороны насадки с одной из выемок на пылесосе, а затем поверните насадку по часовой стрелке.

Чтобы снять насадку, поверните ее против часовой стрелки и отсоедините.

Направьте насадку пылесоса вверх и включите его.

Очистка мешка для сбора пыли

⚠️ПРЕДУПРЕЖДЕНИЕ:

- **Перед установкой или снятием мешка для сбора пыли (тканевого) обязательно убедитесь, что пылесос и электроприбор выключены, аккумуляторный блок извлечен, а электроинструмент (если он проводной) отключен от сетевой розетки.** Невыполнение данного требования может привести к поражению электрическим током и другим травмам.
- Когда пылесборный мешок наполнится примерно наполовину, снимите его с пылесоса и извлеките зажим. Удалите содержимое пылесборного мешка, слегка ударив по нему, чтобы удалить частицы, прилипшие к внутренней части, которые могут ухудшить дальнейшее качество сбора пыли.

Примечание:

- **Чтобы определить периодичность очистки пылесборника, воспользуйтесь следующей схемой расчета:** мешок заполняется после просверливания примерно 450 отверстий в бетоне диаметром 6,5 мм и глубиной 40 мм. Заполненный мешок для сбора пыли может стать причиной снижения всасывающей мощности и привести к повреждению электромотора.

⚠️ПРЕДУПРЕЖДЕНИЕ:

- **Подсоедините тканевый мешок для сбора пыли к стыку пылесборника и закройте зажим перед использованием.** В противном случае может произойти выброс пыли, который может привести к травмам.

Рис.13

Возьмитесь за квадратную часть мешка для сбора пыли, поверните ее против часовой стрелки и снимите мешок для сбора пыли.

Рис.14

Откройте зажим и очистите мешок от пыли.

⚠️ПРЕДУПРЕЖДЕНИЕ:

- Удалите все частицы, прилипшие к зажиму.

ТЕХОБСЛУЖИВАНИЕ

⚠ ПРЕДУПРЕЖДЕНИЕ:

- Перед выполнением какого-либо осмотра или обслуживания пылесоса убедитесь, что он выключен и его аккумуляторный блок снят.

Чистка области фильтра

⚠ ПРЕДУПРЕЖДЕНИЕ:

- Не собирайте пылесосом такие материалы, как каменные или деревянные щепки или аналогичные частицы. Данный пылесос предназначен только для сбора пыли. Невыполнение данного требования может привести к повреждению вентилятора и пылесоса.

Рис.15

Регулярно проверяйте и выполняйте чистку области фильтра во всасывающем отверстии. Извлеките посторонние частицы, которые могут помешать всасыванию.

Чистка

Время от времени протирайте внешнюю часть (корпус пылесоса) пылесоса с помощью тряпки, смоченной мыльной водой.

⚠ ПРЕДУПРЕЖДЕНИЕ:

- Запрещается использовать бензин, лигроин, растворитель, спирт и т.п. Это может привести к изменению цвета, деформации и появлению трещин.

Для обеспечения БЕЗОПАСНОСТИ и НАДЕЖНОСТИ оборудования, ремонт, любое другое техобслуживание или регулировку необходимо производить в уполномоченных сервис-центрах Makita, с использованием только сменных частей производства Makita.

ДОПОЛНИТЕЛЬНЫЕ АКСЕССУАРЫ

⚠ ПРЕДУПРЕЖДЕНИЕ:

- Данные принадлежности или приспособления рекомендуются для использования с пылесосом Makita, указанным в настоящем руководстве. Использование других принадлежностей или приспособлений может привести к травме. Используйте принадлежности или приспособления только для тех целей, для которых они предназначены.

Если вам необходимо содействие в получении дополнительной информации по этим принадлежностям, свяжитесь со своим местным сервис-центром Makita.

- Насадки
- Мешки для сбора пыли
- Шланги

- Передние рукава
- Плечевые ремни
- Оригинальный аккумулятор и зарядное устройство Makita

Примечание:

- Некоторые элементы списка могут водить в комплект инструмента в качестве стандартных приспособлений. Они могут отличаться в зависимости от страны.

Makita Jan-Baptist Vinkstraat 2, 3070, Belgium
Makita Corporation Anjo, Aichi, Japan